



# U.R

Specification Guide

# U.R

Flexible, versatile and environmentally-friendly...  
U.R is the smarter choice.

An environmentally considered table system, U.R draws on Life Cycle Assessments (LCA) to determine the most appropriate materials, and Finite Element Analysis (FEA) to ensure the strongest structure while eliminating waste. Skilfully designed for 100% disassembly, U.R is all ready for recycling.

# U.R

Round/Square

6 – 10



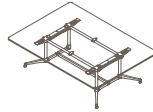
Meeting Tables

11 – 13



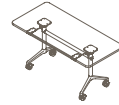
Multi-Leg

14 – 15



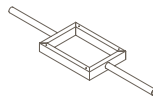
Folding

16



Features

17 – 18



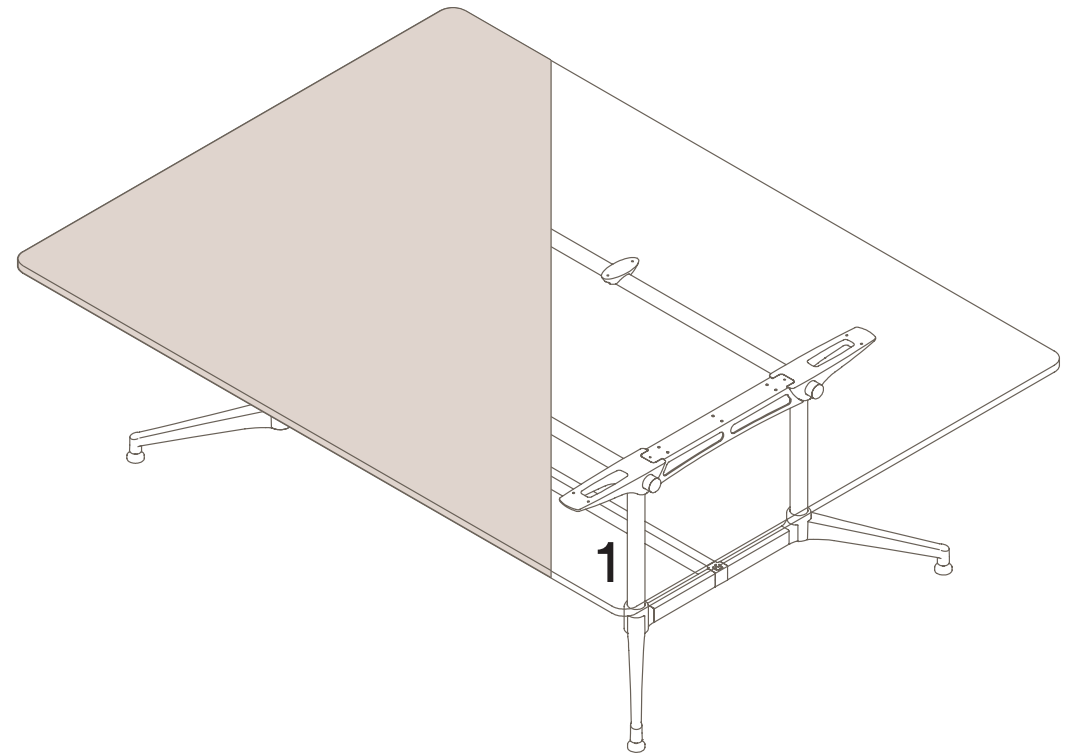


U.R

# Multi-Leg Finishes

## 1. Frame Finishes

The U.R frame comes with black legs and polished foot as standard. U.R is also available in our current season powdercoat colours listed, with custom colour optional.



Colours are representative only, please check with your Thinking Works consultant to view samples of any specific colour.

# Tables

## Round / Square

### Materials Information

#### Leg Finish

Steel Leg Column

- a. Zanilla
- b. Pink Salt
- c. Nocturnelle
- d. Minted
- e. Scotland Sky
- f. Green Smoke
- g. Folie
- h. Axel
- i. Blanc
- j. Noir

#### Foot Finish

Aluminium Foot

- a. Polished - Standard
- b. Powdercoat - to match frame

#### Frame Finish

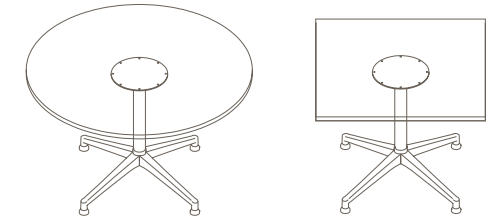
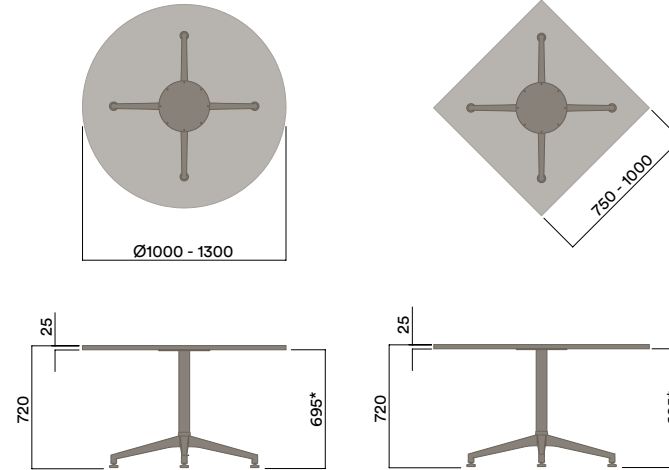
Steel Top Horn

- a. Black Powdercoat

\* Maximum Custom Height 1000mm  
 Maximum inc. worktop 40kg  
 Maximum Point Load 50kg  
 Seats 4

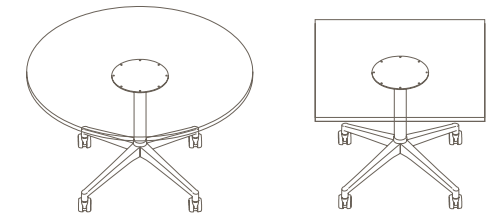
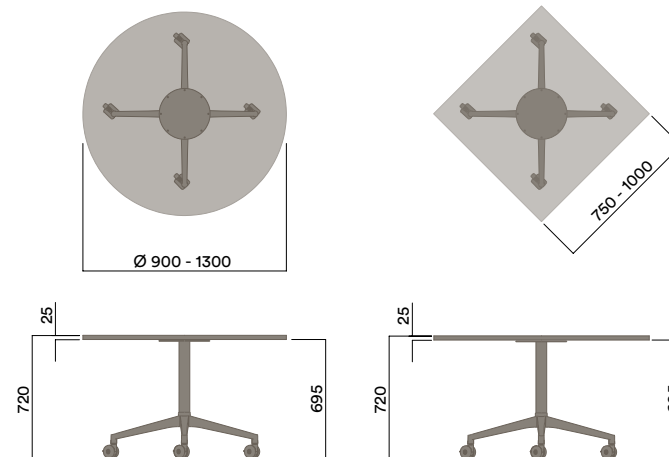
### CN-1020

### 720 (standard Height)



### CN-1021 Castors

### 720 (standard Height)



# Tables

## Round / Square

### Materials Information

#### Leg Finish

Steel Leg Column

- a. Zanilla
- b. Pink Salt
- c. Nocturnelle
- d. Minted
- e. Scotland Sky
- f. Green Smoke
- g. Folie
- h. Axel
- i. Blanc
- j. Noir

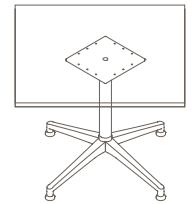
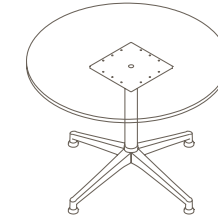
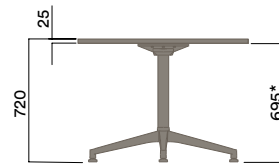
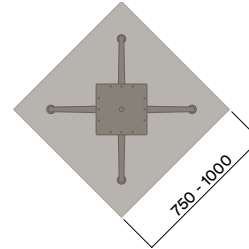
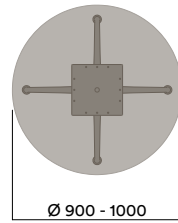
#### Foot Finish

Aluminium Foot

- a. Polished - Standard
- b. Powdercoat - to match frame

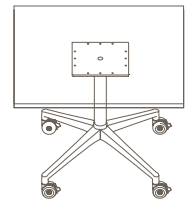
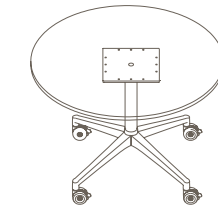
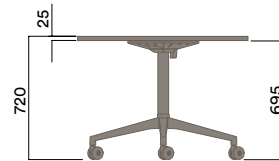
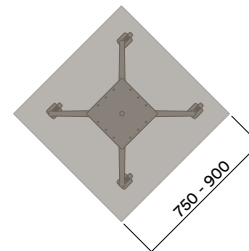
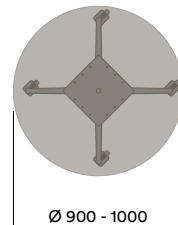
### CN-1025 Folding

### 720 (standard Height)



### CN-1026 Folding on Castors

### 720 (standard Height)



\* Maximum Custom Height 1000mm  
 Maximum inc. worktop 40kg  
 Maximum Point Load 50kg  
 Seats 2-4

# Tables

## Round / Square

### Materials Information

#### Leg Finish

Steel Leg Column

- a. Zanilla
- b. Pink Salt
- c. Nocturnelle
- d. Minted
- e. Scotland Sky
- f. Green Smoke
- g. Folie
- h. Axel
- i. Blanc
- j. Noir

#### Foot Finish

Aluminium Foot

- a. Polished - Standard
- b. Powdercoat - to match frame

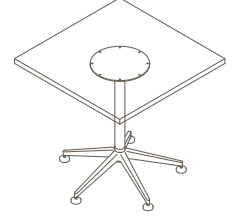
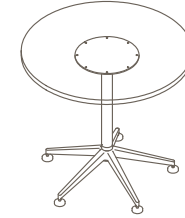
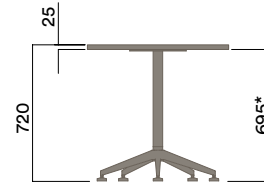
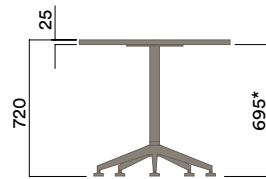
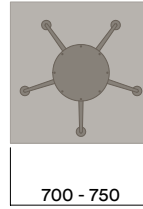
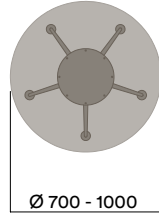
#### Frame Finish

Steel Top Horn

- a. Black Powdercoat

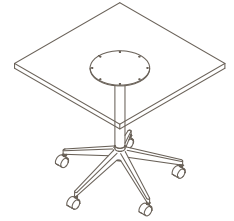
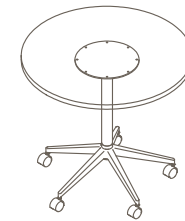
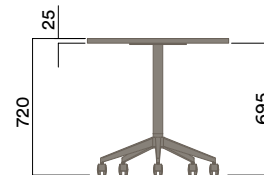
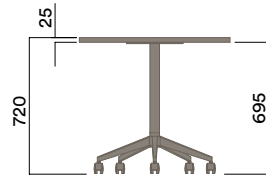
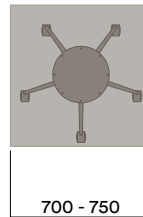
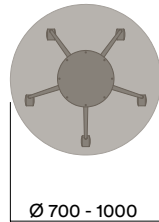
### CN-1030

### 720 (standard Height)



### CN-1031 Castors

### 720 (standard Height)



\* Maximum Custom Height 695mm  
 Maximum inc. worktop 20kg  
 Maximum Point Load 30kg  
 Seats 4



# Tables

## Round / Square

### Materials Information

#### Leg Finish

Steel Leg Column

- a. Zanilla
- b. Pink Salt
- c. Nocturnelle
- d. Minted
- e. Scotland Sky
- f. Green Smoke
- g. Folie
- h. Axel
- i. Blanc
- j. Noir

#### Foot Finish

Aluminium Foot

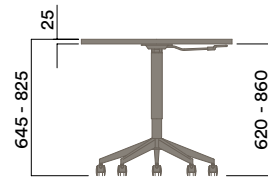
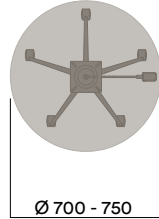
- a. Polished - Standard
- b. Powdercoat - to match frame

#### Frame Finish

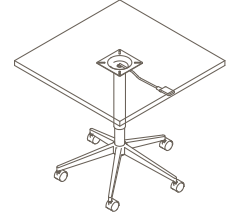
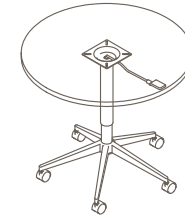
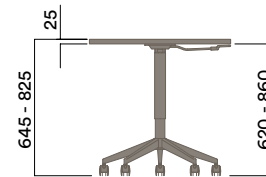
Steel Top Horn

- a. Black Powdercoat

### CN-1032 Castors

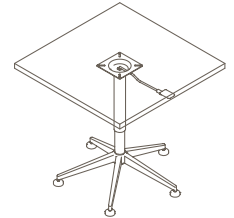
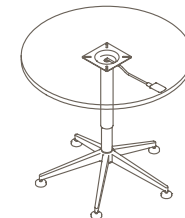
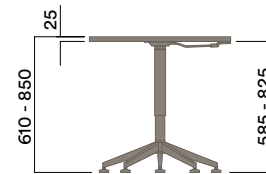
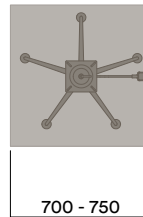
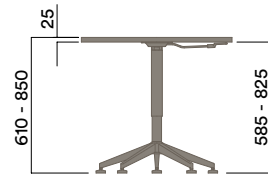
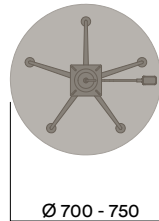


### Gas Lift Height Adjustable



### CN-1033

### Gas Lift Height Adjustable



Maximum inc. worktop 20kg  
 Maximum Point Load 30kg  
 Seats 4

# Tables

## Round / Square

### Materials Information

#### Leg Finish

Steel Leg Column

- a. Zanilla
- b. Pink Salt
- c. Nocturnelle
- d. Minted
- e. Scotland Sky
- f. Green Smoke
- g. Folie
- h. Axel
- i. Blanc
- j. Noir

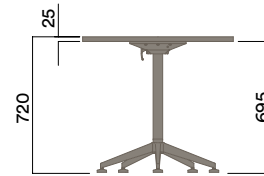
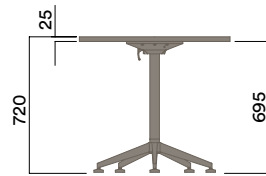
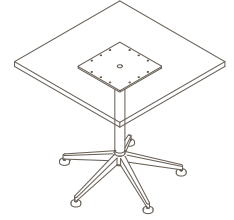
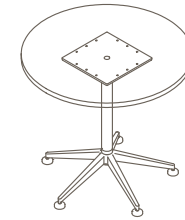
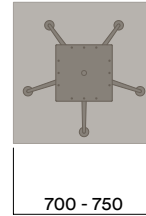
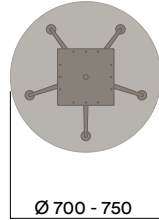
#### Foot Finish

Aluminium Foot

- a. Polished - Standard
- b. Powdercoat - to match frame

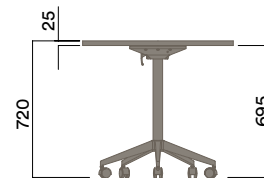
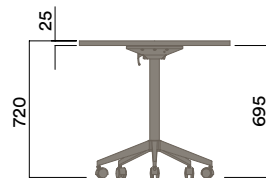
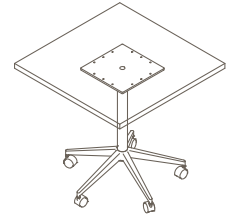
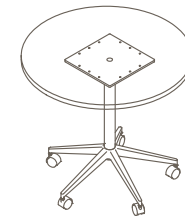
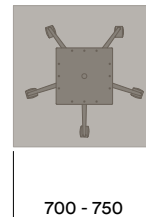
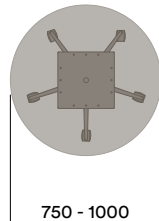
### CN-1035 Folding

### 720 (standard Height)



### CN-1036 Folding on Castors

### 720 (standard Height)



Maximum inc. worktop 20kg  
 Maximum Point Load 30kg  
 Seats 4

# Tables

## Rectangle

### Materials Information

#### Leg Finish

Steel Leg Column

- a. Zanilla
- b. Pink Salt
- c. Nocturnelle
- d. Minted
- e. Scotland Sky
- f. Green Smoke
- g. Folie
- h. Axel
- i. Blanc
- j. Noir

#### Foot Finish

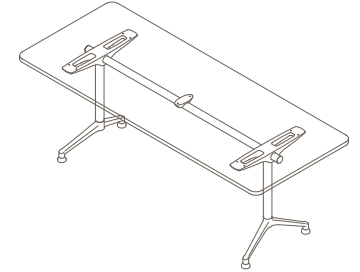
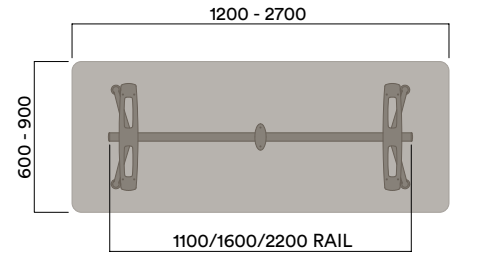
Aluminium foot

- a. Polished - Standard
- b. Powdercoat - to match frame

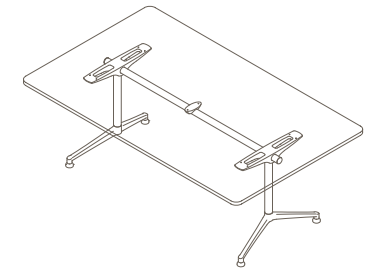
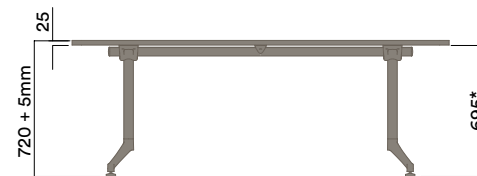
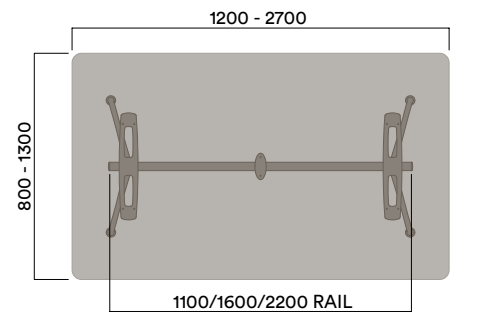
#### Frame Finish

Aluminium Top Horn - Polished  
Steel Black Powdercoat Rails

CN-1000, CN-1001, CN-1002 720 (standard Height)



CN-1010, CN-1011, CN-1012 720 (standard Height)



\* Maximum Custom Height 1000mm  
Maximum inc. worktop 100kg  
Maximum Point Load 50kg  
Seats 4-6

# Tables

## Rectangle

### Materials Information

#### Leg Finish

Steel Leg Column

- a. Zanilla
- b. Pink Salt
- c. Nocturnelle
- d. Minted
- e. Scotland Sky
- f. Green Smoke
- g. Folie
- h. Axel
- i. Blanc
- j. Noir

#### Foot Finish

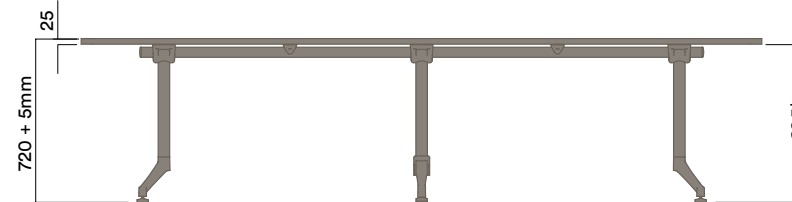
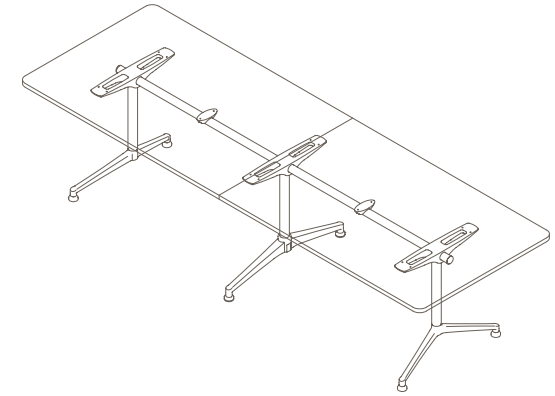
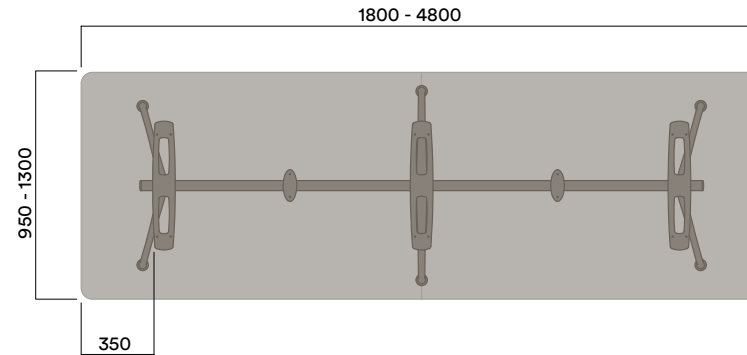
Aluminium foot

- a. Polished - Standard
- b. Powdercoat - to match frame

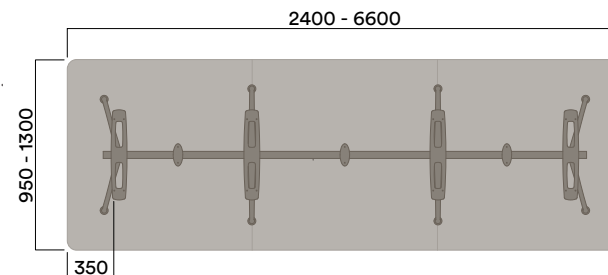
#### Frame Finish

Aluminium Top Horn - Polished  
Steel Black Powdercoat Rails

### CN-1040



### CN-1041



* Maximum Custom Height	1000mm
Maximum inc. worktop	130kg
Maximum Point Load	50kg
Seats	6-18

# Tables Boatshape

## Materials Information

### Leg Finish

Steel Leg Column

- a. Zanilla
- b. Pink Salt
- c. Nocturnelle
- d. Minted
- e. Scotland Sky
- f. Green Smoke
- g. Folie
- h. Axel
- i. Blanc
- j. Noir

### Foot Finish

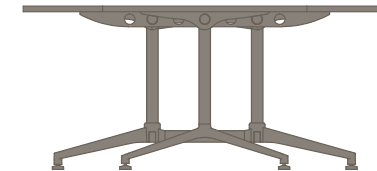
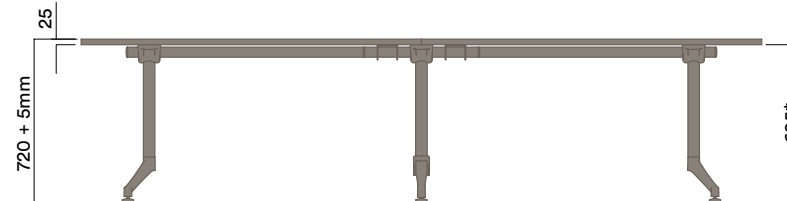
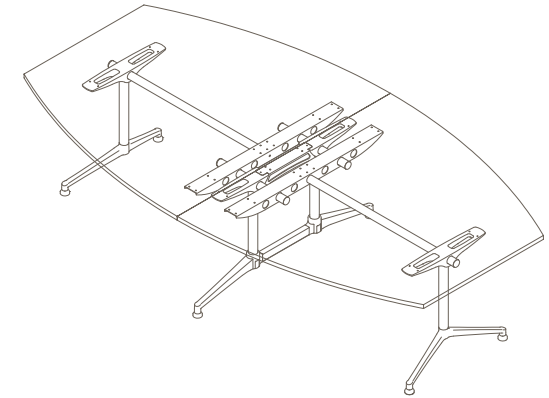
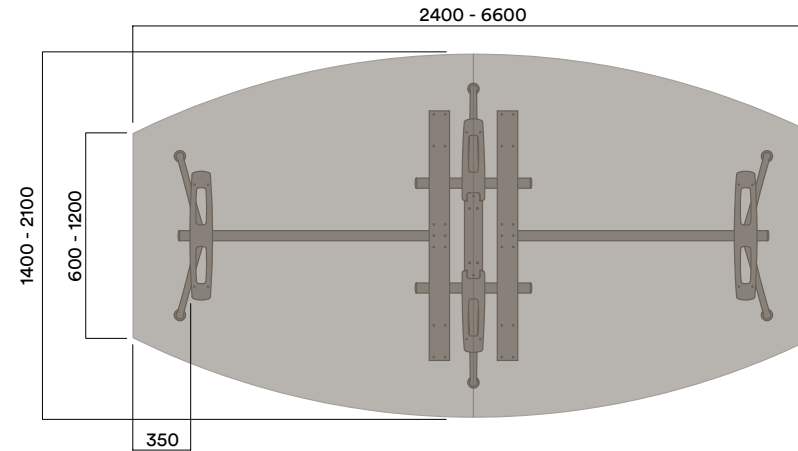
Aluminium foot

- a. Polished - Standard
- b. Powdercoat - to match frame

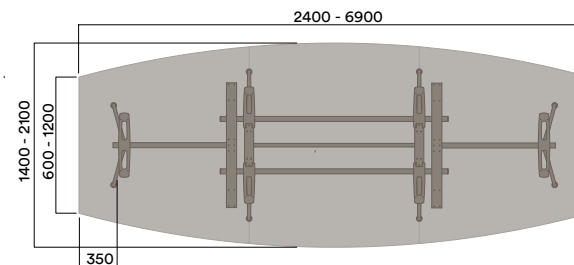
### Frame Finish

Aluminium Top Horn - Polished  
Steel Black Powdercoat Rails

## CN-1044



## CN-1046



* Maximum Custom Height	1000mm
Maximum inc. worktop	160kg
Maximum Point Load	50kg
Seats	6-18

# Tables

## Round/Square

### Materials Information

CN-1070

#### Leg Finish

Steel Leg Column and Lower Frame

- a. Zanita
- b. Pink Salt
- c. Nocturnelle
- d. Minted
- e. Scotland Sky
- f. Green Smoke
- g. Folie
- h. Axel
- i. Blanc
- j. Noir

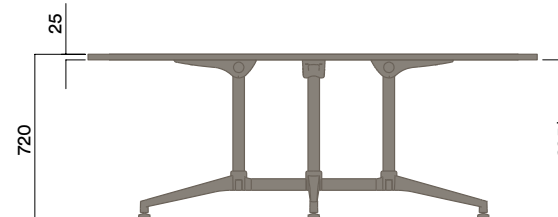
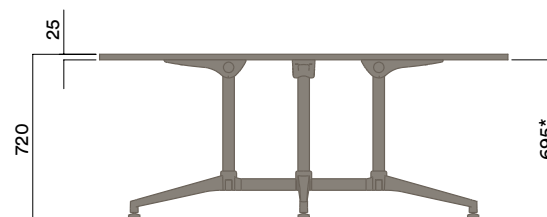
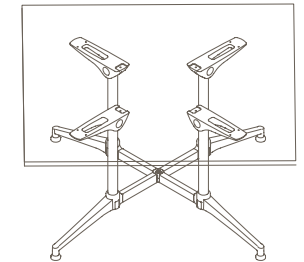
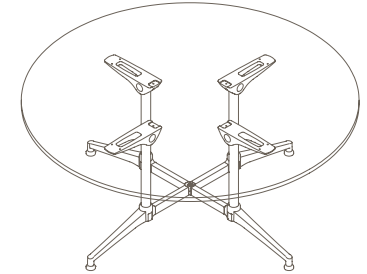
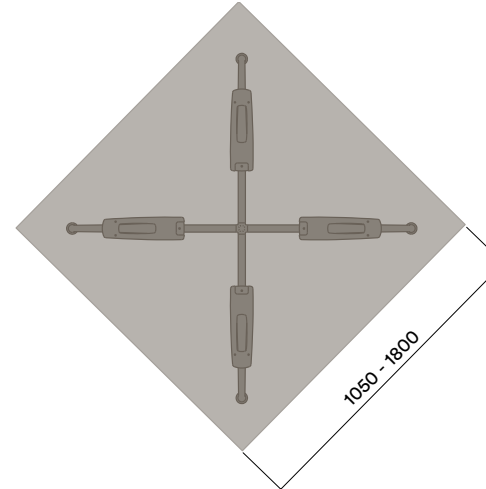
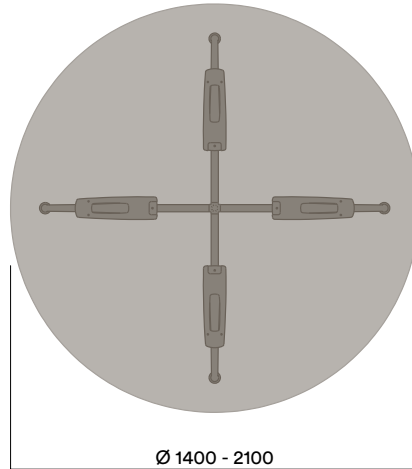
#### Foot Finish

Aluminium Foot

- a. Polished - Standard
- b. Powdercoat - to match frame

#### Frame Finish

Aluminium Top Horn - Polished



* Maximum Custom Height	1000mm
Maximum inc. worktop	80kg
Maximum Point Load	50kg
Seats	4-6

# Multi-Leg Rectangle

## Materials Information

### Leg Finish

Steel Leg Column and Lower Frame

- a. Zanilla
- b. Pink Salt
- c. Nocturnelle
- d. Minted
- e. Scotland Sky
- f. Green Smoke
- g. Folie
- h. Axel
- i. Blanc
- j. Noir

### Foot Finish

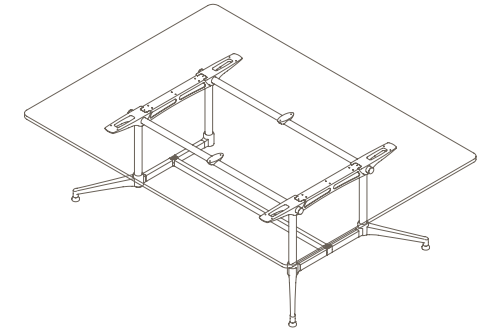
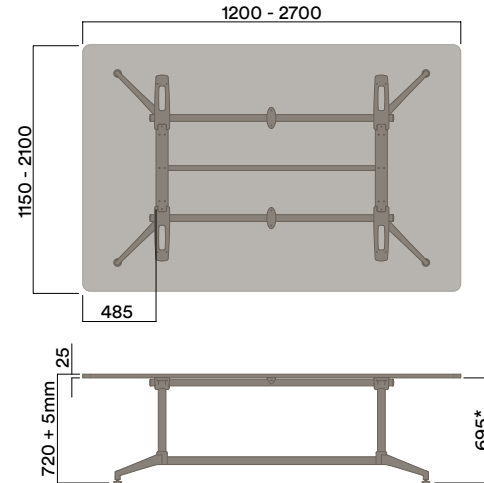
Aluminium Foot

- a. Polished - Standard
- b. Powdercoat - to match frame

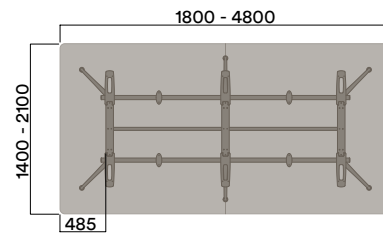
### Frame Finish

Aluminium Top Horn - Polished  
Steel Black Powdercoat Rails

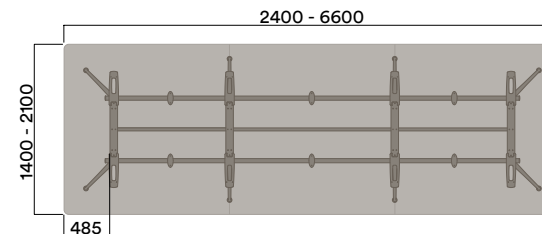
## CN-1050 4 Leg



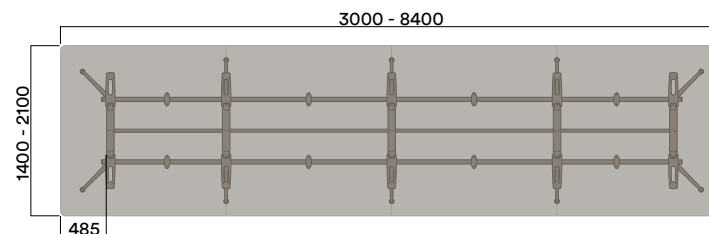
## CN-1051 6 Leg



## CN-1052 8 Leg



## CN-1053 10 Leg



* Maximum Custom Height	1000mm
Maximum inc. worktop	160kg
Maximum Point Load	50kg
Seats	4-24

# Tables Folding

## Materials Information

### Leg & Frame Finish

Steel Leg Column and Beam

- a. Zanilla
- b. Pink Salt
- c. Nocturnelle
- d. Minted
- e. Scotland Sky
- f. Green Smoke
- g. Folie
- h. Axel
- i. Blanc
- j. Noir

### Foot Finish

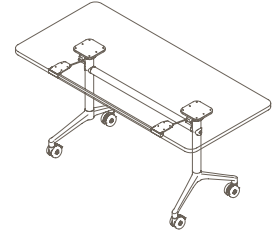
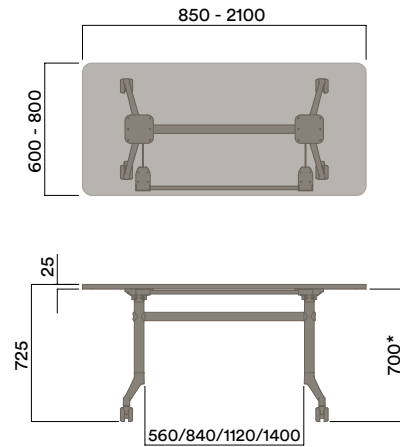
Aluminium Foot

- a. Polished - Standard
- b. Powdercoat - to match frame

\* Maximum Custom Height 1000mm  
 Maximum inc. worktop 24kg  
 Maximum Point Load 30kg  
 Seats 1-6

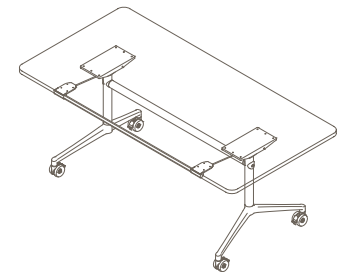
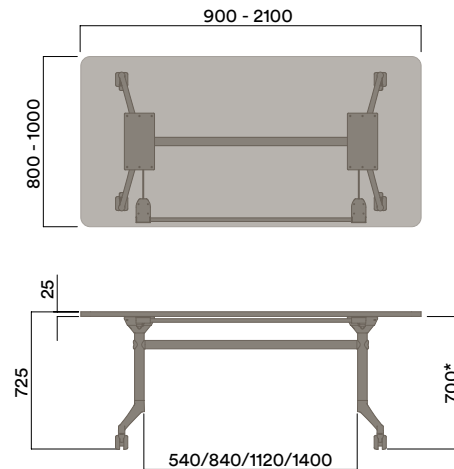
CN-1080 , CN-1082, CN-1084, CN-1086

725 (standard Height)



CN-1081, CN-1083, CN-1085, CN-1087

725 (standard Height)





# Tables Features

## Materials Information

### Frame Finish

Steel Slingshot

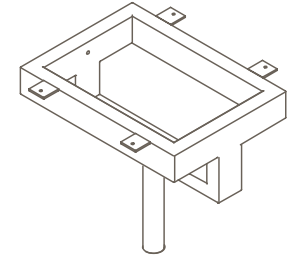
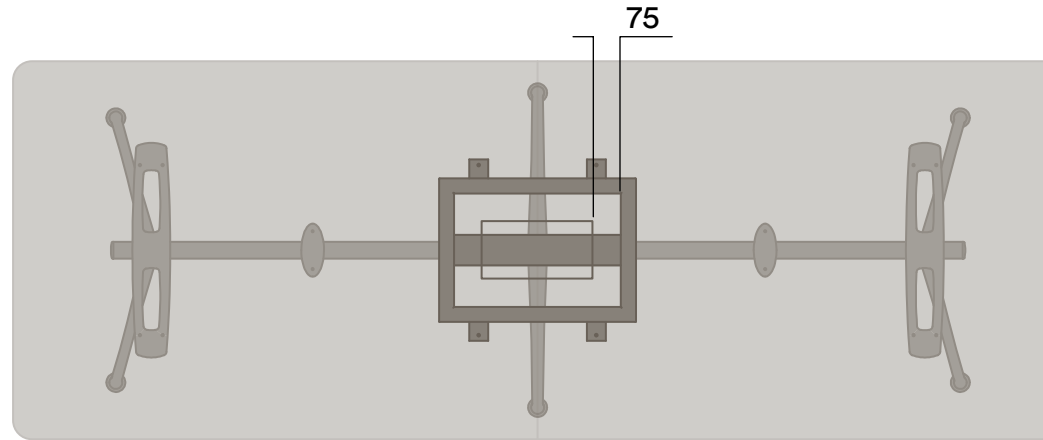
a. Powdercoat - to match frame

Steel Power/Data Beam

a. Black Powdercoat

## Powerbox Management

## Slingshot



### Powerbox Slingshot

Suitable for CN-1040 and CN-1041 table frames

Replaces U.R leg column to provide placement of powerboxes without frame interference

Made to order to cater for specified powerbox requirements and size

Provides 75mm clearance around powerbox to ensure fitment without frame interference

### Power/Data Beam

Suitable for CN-1000, CN-1001 and CN-1002 frames

Suitable for CN-1010, CN-1011 and CN-1012 frames

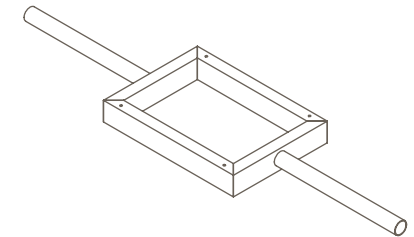
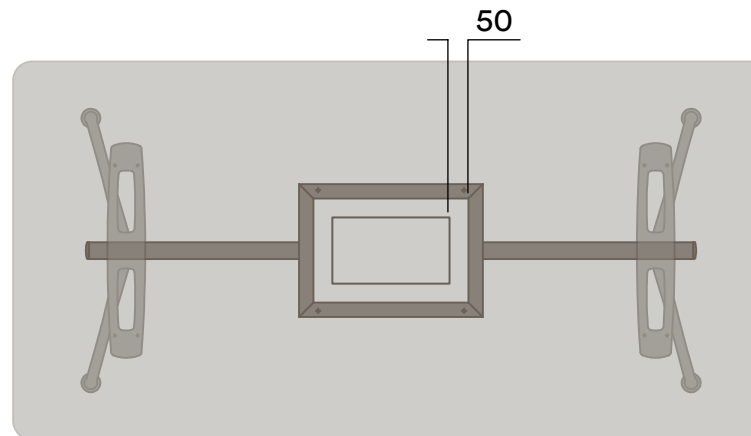
Replaces central rail to provide placement of powerboxes without frame interference

Made to order to cater for specified powerbox requirements and size

Provides 50mm clearance around powerbox to ensure fitment without frame interference

## Powerbox Management

## Power/Data Beam



# Tables Features

## Materials Information

### Frame Finish

Steel Multi-Leg Spacer

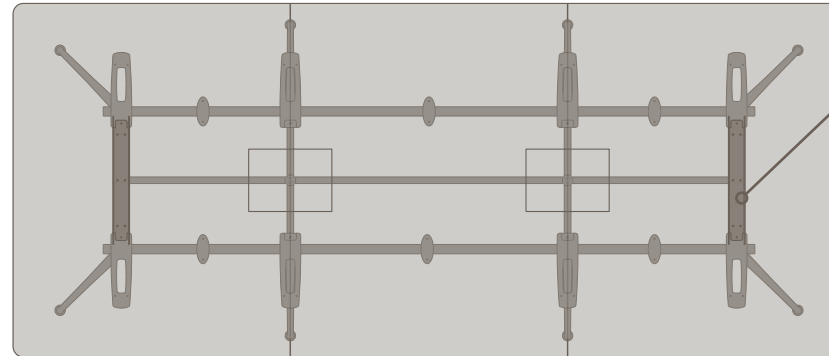
a. Black Powdercoat

Steel Outrigger

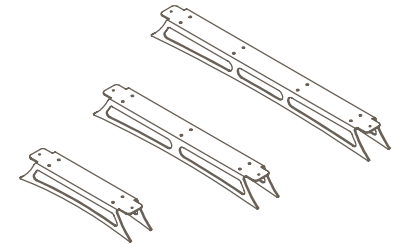
a. Black Powdercoat

## Powerbox Management

## Multi-Leg Spacers

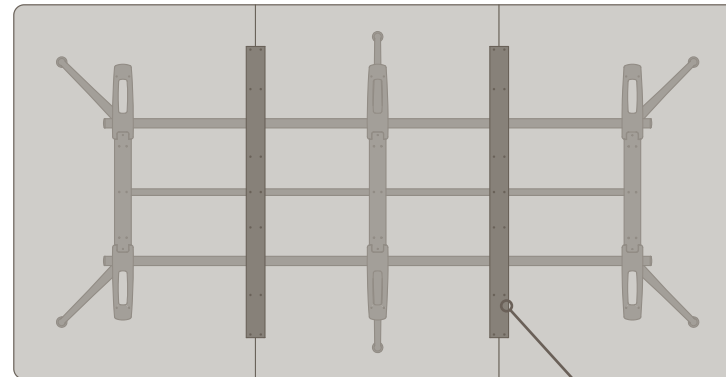


Multileg Spacer

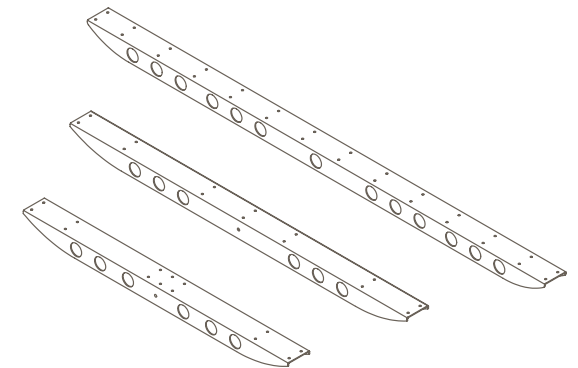


## Worktop Management

## Outriggers



Outrigger



### Multi-leg Spacers

Provided with frame, spacers can be removed on-site to provide placement of powerboxes without frame interference

Applies to all Multi-Leg Rectangle Frames

### Outriggers

Additional Outriggers can be purchased to provide adequate worktop support on odd worktop splits

Outriggers available to suit SML, MED and LRG width Multi-Leg frames



## **Specification**

If you would like a sample set of any of our finishes, please call us on 61 (0)2 9726 7177 or e-mail at [sales@thinkingw.com](mailto:sales@thinkingw.com).

Due to our policy of continuous product development, specifications and finishes may change without prior notice.

## **Sustainability Policy**

We realise the importance of responsible business practices and have in place numerous product and company sustainability certifications. We would encourage you to download our annual Sustainability Report from the Thinking Works website to get a full overview of our sustainability program.

Thinking Works  
© Copyright 2018  
All right reserved

Thinking Works  
25 Helles Avenue  
Moorebank  
New South Wales 2170

[www.thinkingw.com](http://www.thinkingw.com)  
61 (0)2 9726 7177  
[sales@thinkingw.com](mailto:sales@thinkingw.com)