



# Okidoki

Specification Guide

# Okidoki

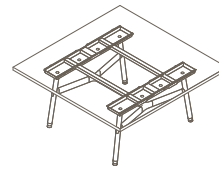
Who says you can't mix  
business with pleasure?

Okidoki could be  
brightening the office  
one day, then bringing  
its casual cool to your  
home the next. In any  
environment, its cheeky  
personality is always  
on display.

# Okidoki

Multi-Leg Tables

5 – 15



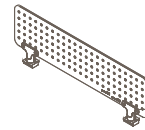
Workstation

16 - 22



Accessories

23 – 27



A detailed line drawing of a desk assembly, showing the legs, crossbars, and the desk surface. The drawing is rendered in a clean, minimalist style with thin black lines on a white background. The desk is shown from a three-quarter perspective, highlighting its structure and components.

**Okidoki**

# Multi-Leg Finishes

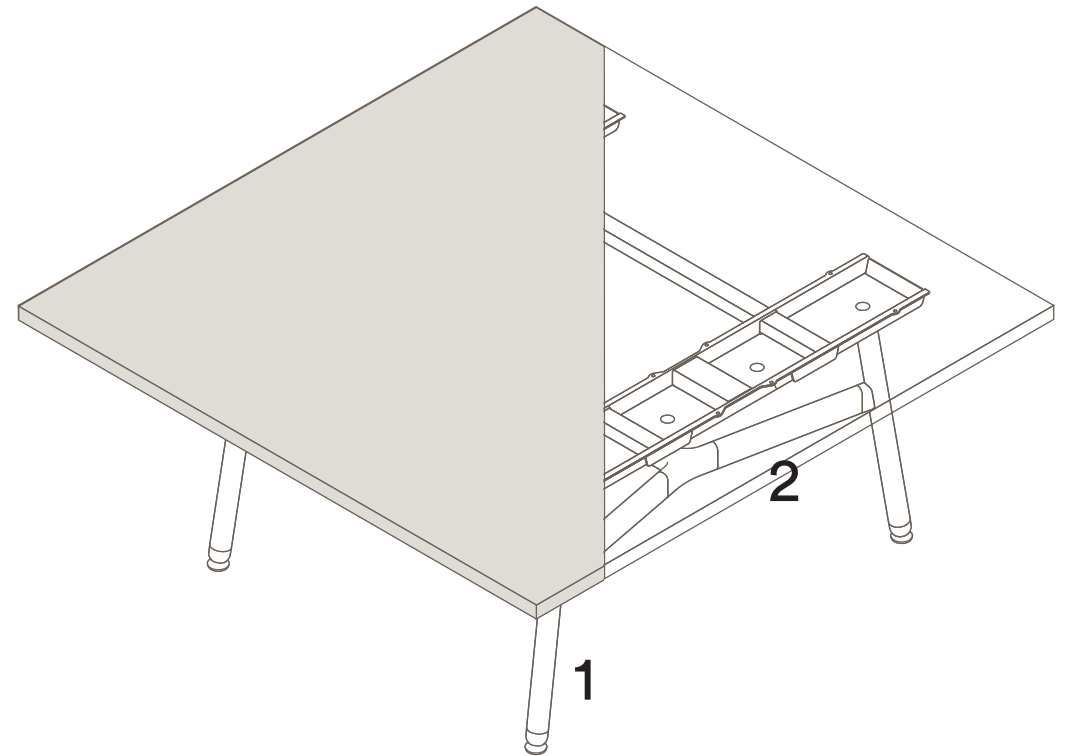
## 1. Legs

Our legs are all made from Timber. Ash comes as standard. We offer premium finishes of Solid Walnut and solid colour with exposed timber grain in Black or White.



## 2. Frame Finishes

Okidoki steel and aluminium frame is available in our current season powdercoat colours listed and plating options. Custom colours are also available.



Colours are representative only, please check with your Thinking Works consultant to view samples of any specific colour.

# Multi-Leg Round

## Materials Information

### Legs

Timber Legs

- a. Ash - Standard
- b. Walnut
- c. Black solid colour with timber grain
- d. White solid colour with timber grain

### Frame Finish

Powdercoat Steel & Aluminium Frame

- a. Matte Black
- b. White Satin
- c. Zanilla
- d. Pink Salt
- e. Nocturenelle
- f. Minted
- g. Scotland Sky
- h. Green Smoke
- i. Folie
- j. Axel
- k. Blanc
- l. Noir

- m. Chrome Plated
- n. Black Chrome Plated

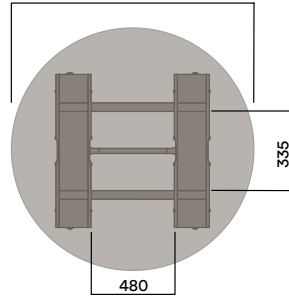
Steel Top Horn

- a. Black Powdercoat

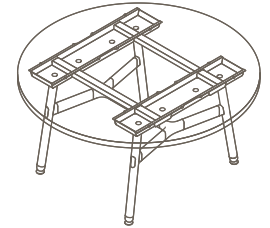
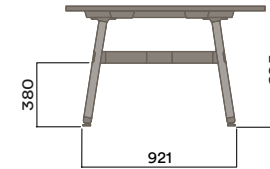
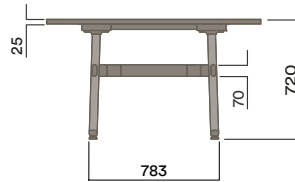
Maximum inc. worktop 100kg  
 Maximum Point Load 30kg  
 Seats 4

## OKT-1070

Ø 1350 - 1500

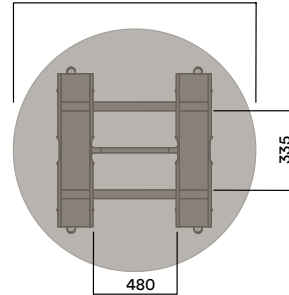


## 720 (standard height)

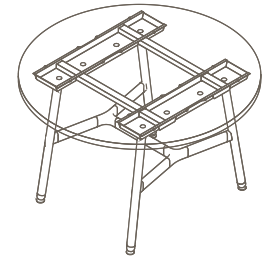
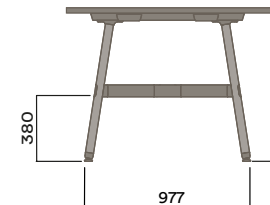
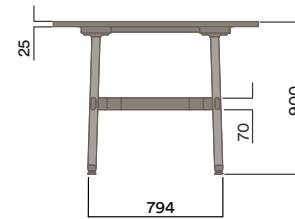


## OKT-9-1070

Ø 1350 - 1500

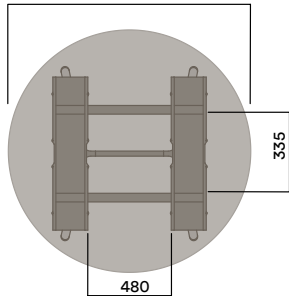


## 900 (bench height)

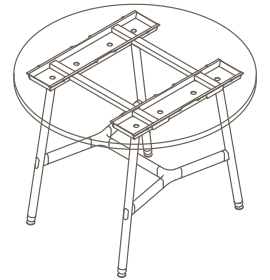
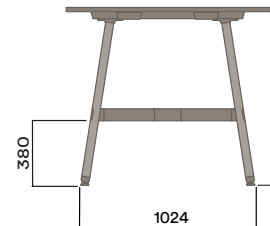
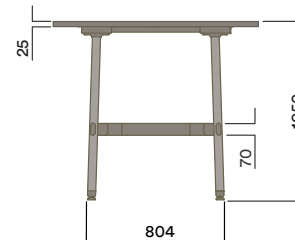


## OKT-10-1070

Ø 1350 - 1500



## 1050 (standing height)



# Multi-Leg Round

## Materials Information

### Legs

Timber Legs

- a. Ash - Standard
- b. Walnut
- c. Black solid colour with timber grain
- d. White solid colour with timber grain

### Frame Finish

Powdercoat Steel & Aluminium Frame

- a. Matte Black
- b. White Satin
- c. Zanilla
- d. Pink Salt
- e. Nocturenelle
- f. Minted
- g. Scotland Sky
- h. Green Smoke
- i. Folie
- j. Axel
- k. Blanc
- l. Noir

- m. Chrome Plated
- n. Black Chrome Plated

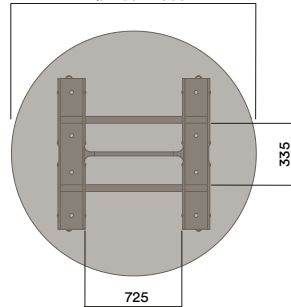
Steel Top Horn

- a. Black Powdercoat

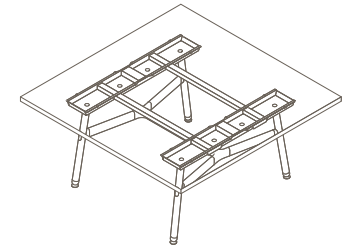
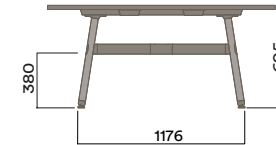
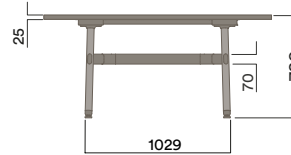
Maximum inc. worktop 100kg  
 Maximum Point Load 30kg  
 Seats 4

## OKT-1072

Ø1700 - 2000

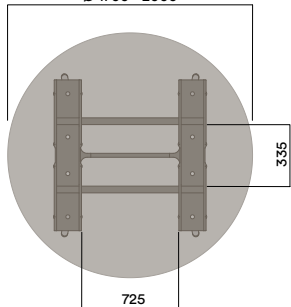


## 720 (standard height)

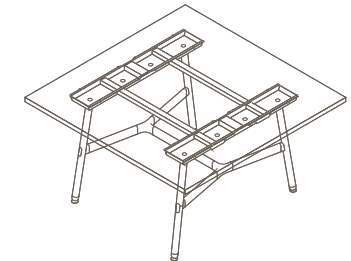
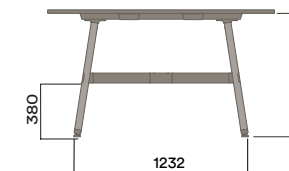
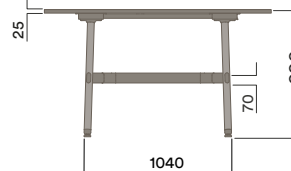


## OKT-9-1072

Ø1700 - 2000

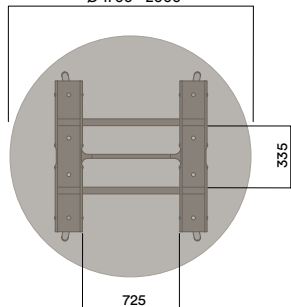


## 900 (bench height)

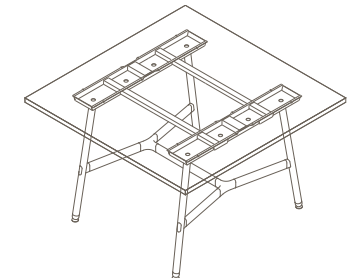
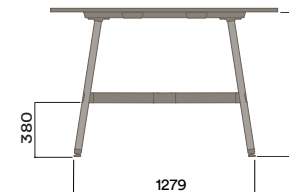
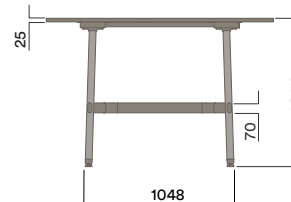


## OKT-10-1072

Ø1700 - 2000



## 1050 (standing height)



# Multi-Leg Square

## Materials Information

### Legs

Timber Legs

- a. Ash - Standard
- b. Walnut
- c. Black solid colour with timber grain
- d. White solid colour with timber grain

### Frame Finish

Powdercoat Steel & Aluminium Frame

- a. Matte Black
- b. White Satin
- c. Zanilla
- d. Pink Salt
- e. Nocturenelle
- f. Minted
- g. Scotland Sky
- h. Green Smoke
- i. Folie
- j. Axel
- k. Blanc
- l. Noir

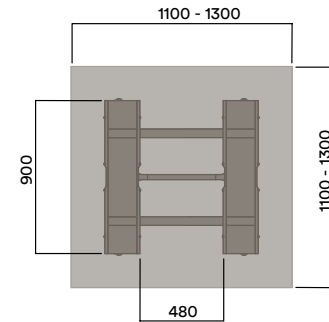
- m. Chrome Plated
- n. Black Chrome Plated

Steel Top Horn

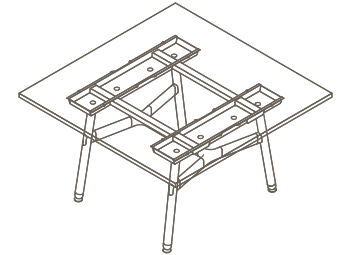
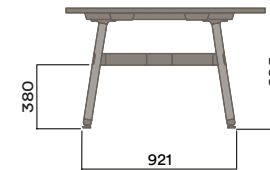
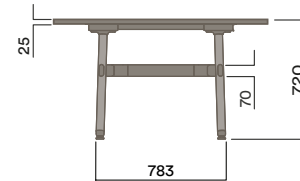
- a. Black Powdercoat

Maximum inc. worktop 100kg  
 Maximum Point Load 30kg  
 Seats 4

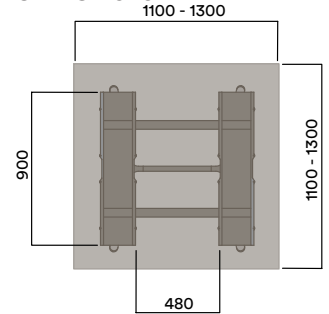
## OKT1070



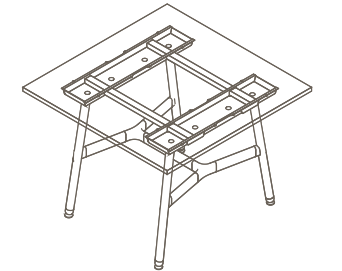
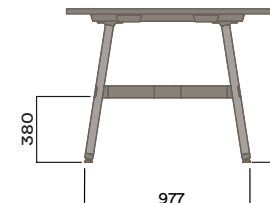
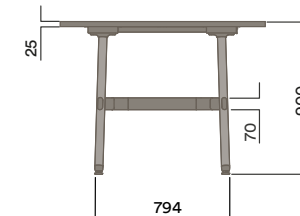
## 720 (standard height)



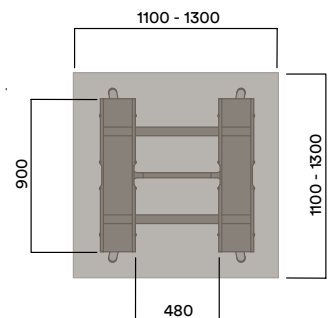
## OKT-9-1070



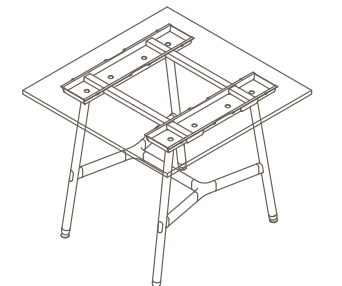
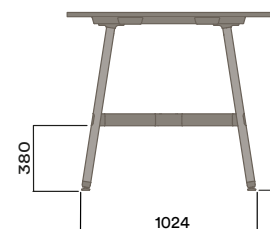
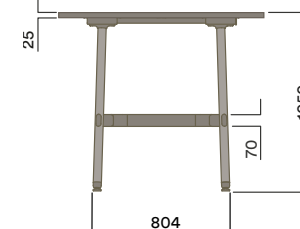
## 900 (bench height)



## OKT-10-1070



## 1050 (standing height)





# Multi-Leg Square

## Materials Information

### Legs

Timber Legs

- a. Ash - Standard
- b. Walnut
- c. Black solid colour with timber grain
- d. White solid colour with timber grain

### Frame Finish

Powdercoat Steel & Aluminium Frame

- a. Matte Black
- b. White Satin
- c. Zanilla
- d. Pink Salt
- e. Nocturenelle
- f. Minted
- g. Scotland Sky
- h. Green Smoke
- i. Folie
- j. Axel
- k. Blanc
- l. Noir

- m. Chrome Plated
- n. Black Chrome Plated

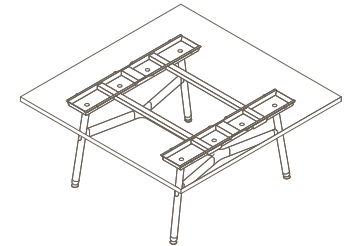
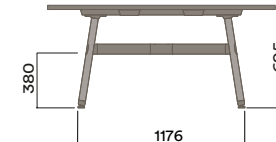
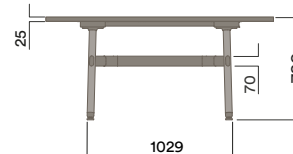
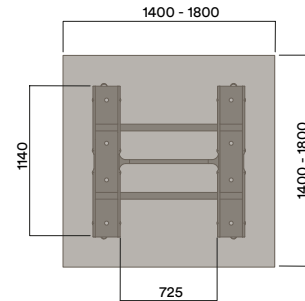
Steel Top Horn

- a. Black Powdercoat

Maximum inc. worktop 100kg  
 Maximum Point Load 30kg  
 Seats 4

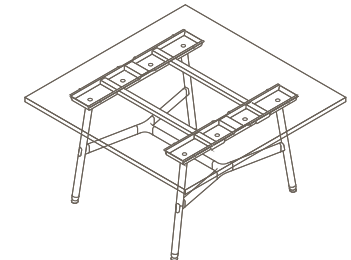
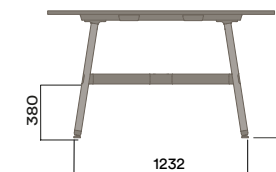
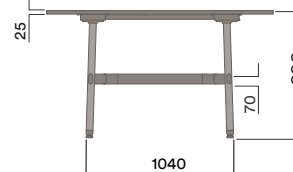
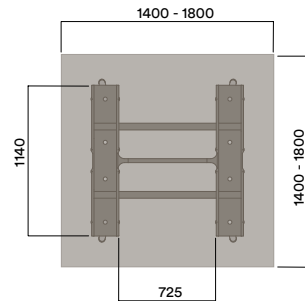
## OKT-1072

## 720 (standard height)



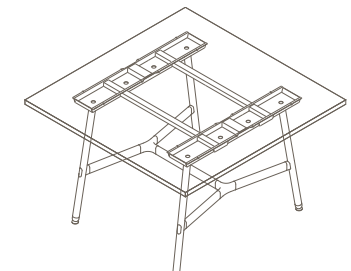
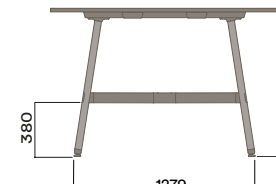
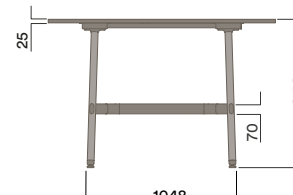
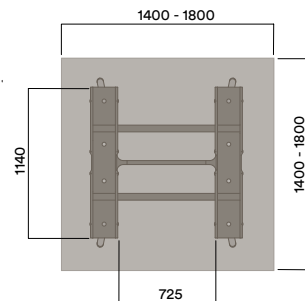
## OKT-9-1072

## 900 (bench height)



## OKT-10-1072

## 1050 (standing height)



# Multi-Leg Rectangle

## Materials Information

### Legs

Timber Legs

- a. Ash - Standard
- b. Walnut
- c. Black solid colour with timber grain
- d. White solid colour with timber grain

### Frame Finish

Powdercoat Steel & Aluminium Frame

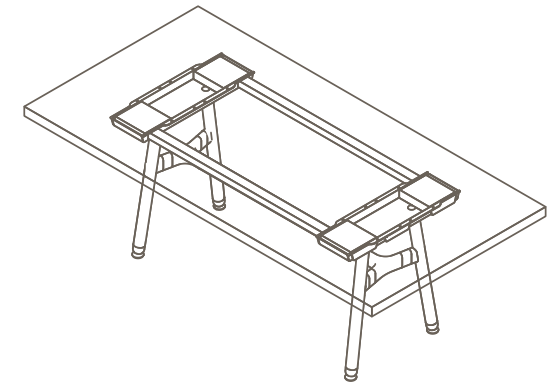
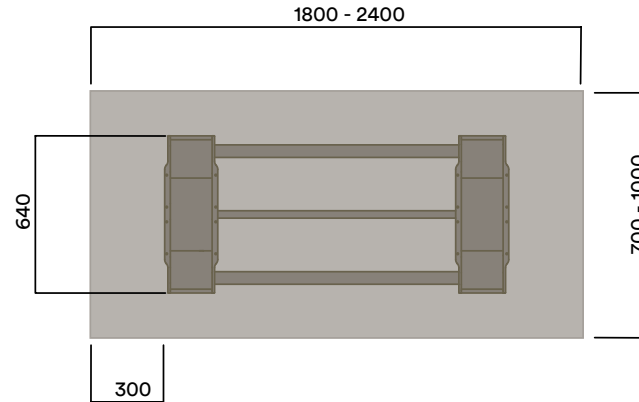
- a. Matte Black
- b. White Satin
- c. Zanilla
- d. Pink Salt
- e. Nocturenelle
- f. Minted
- g. Scotland Sky
- h. Green Smoke
- i. Folie
- j. Axel
- k. Blanc
- l. Noir
- m. Chrome Plated
- n. Black Chrome Plated

Steel Top Horn

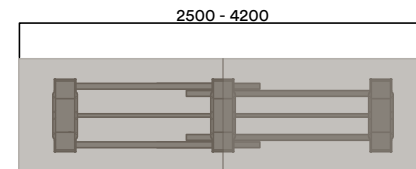
- a. Black Powdercoat

Maximum inc. worktop 120kg  
 Maximum Point Load 30kg  
 Seats 4 - 22

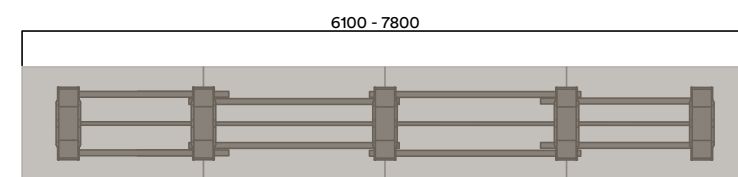
OKT-1050 4Leg



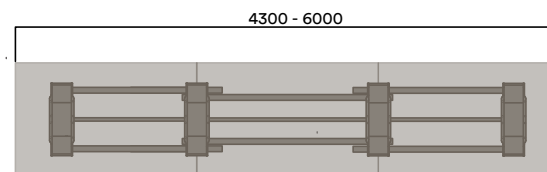
OKT-1051 6Leg



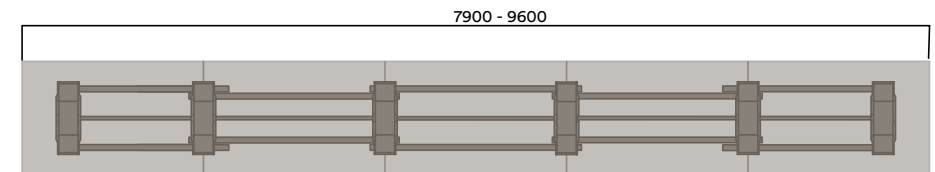
OKT-1053 10Leg



OKT-1052 8Leg



OKT-1054 12Leg



# Multi-Leg Rectangle

## Materials Information

### Legs

Timber Legs

- a. Ash - Standard
- b. Walnut
- c. Black solid colour with timber grain
- d. White solid colour with timber grain

### Frame Finish

Powdercoat Steel & Aluminium Frame

- a. Matte Black
- b. White Satin
- c. Zanilla
- d. Pink Salt
- e. Nocturenelle
- f. Minted
- g. Scotland Sky
- h. Green Smoke
- i. Folie
- j. Axel
- k. Blanc
- l. Noir

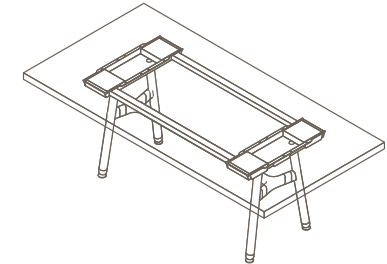
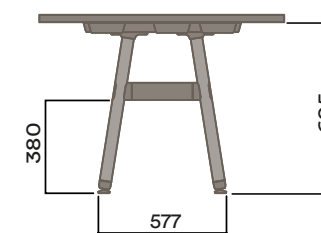
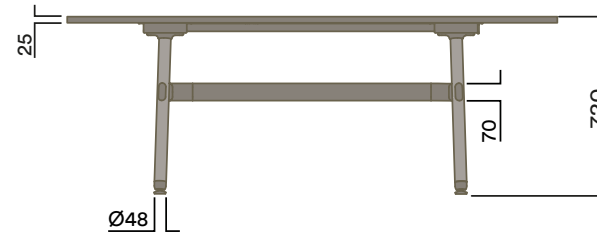
- m. Chrome Plated
- n. Black Chrome Plated

Steel Top Horn

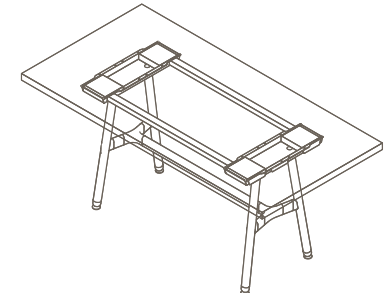
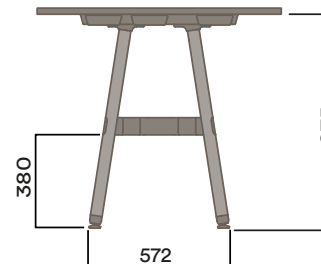
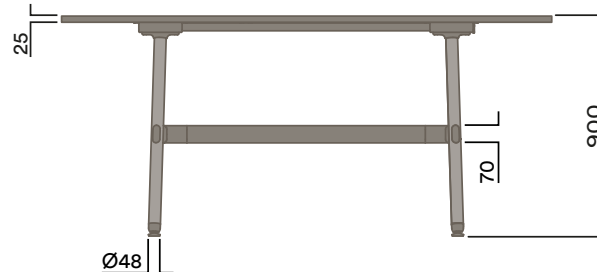
- a. Black Powdercoat

Maximum inc. worktop 100kg  
 Maximum Point Load 30kg  
 Seats 4 - 22

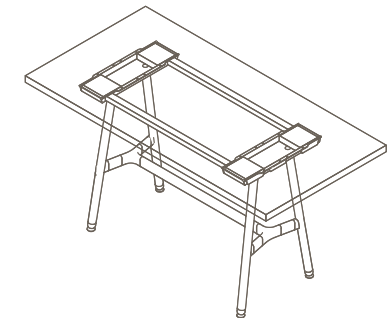
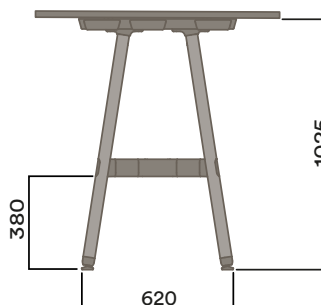
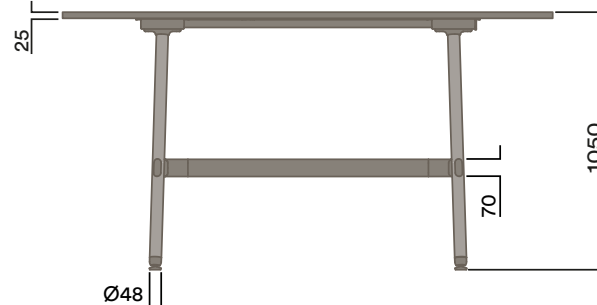
OKT-1050 - 1054 720 (standard height)



OKT-9-1050 - 1054 900 (bench height)



OKT-10-1050 - 1054 1050 (standing height)



# Multi-Leg XL Rectangle

## Materials Information

### Legs

Timber Legs

- a. Ash - Standard
- b. Walnut
- c. Black solid colour with timber grain
- d. White solid colour with timber grain

### Frame Finish

Powdercoat Steel & Aluminium Frame

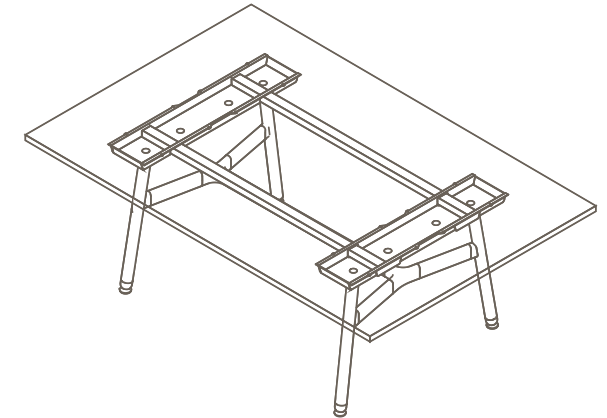
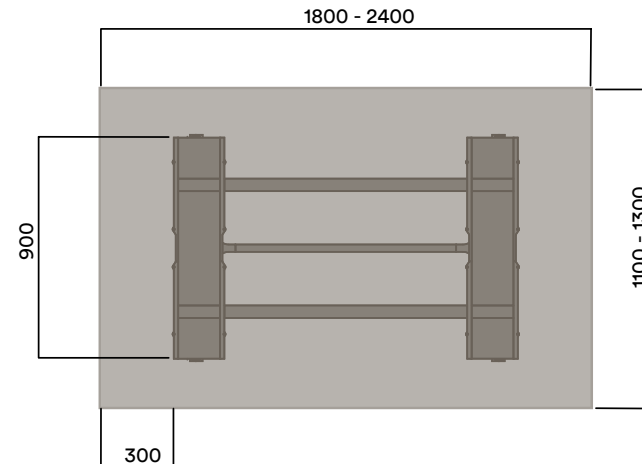
- a. Matte Black
- b. White Satin
- c. Zanilla
- d. Pink Salt
- e. Nocturenelle
- f. Minted
- g. Scotland Sky
- h. Green Smoke
- i. Folie
- j. Axel
- k. Blanc
- l. Noir
- m. Chrome Plated
- n. Black Chrome Plated

Steel Top Horn

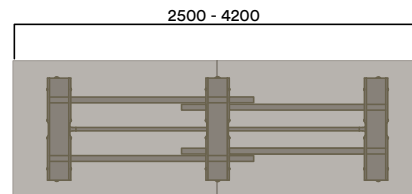
- a. Black Powdercoat

Maximum inc. worktop 100kg  
 Maximum Point Load 30kg  
 Seats 4 - 24

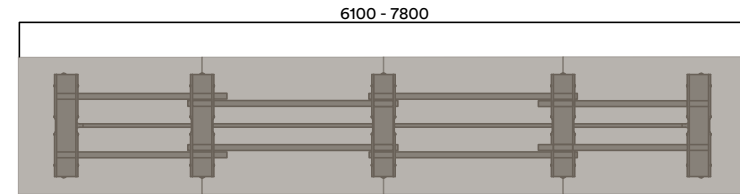
OKT-1050-XL 4Leg



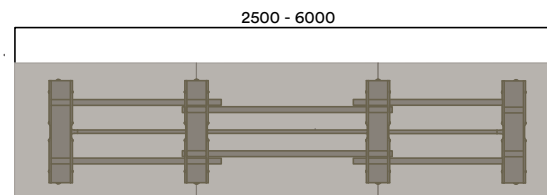
OKT-1051-XL 6Leg



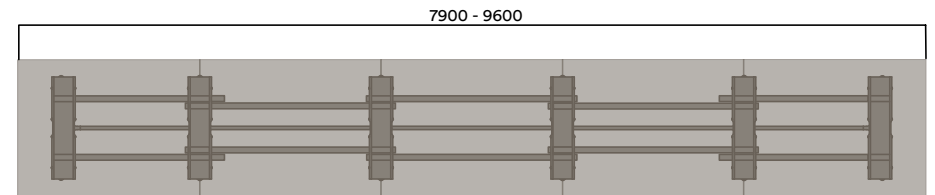
OKT-1053-XL 10Leg



OKT-1052-XL 8Leg



OKT-1054-XL 12Leg



# Multi-Leg XL Rectangle

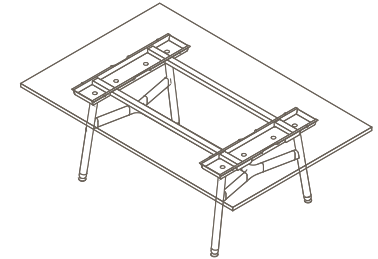
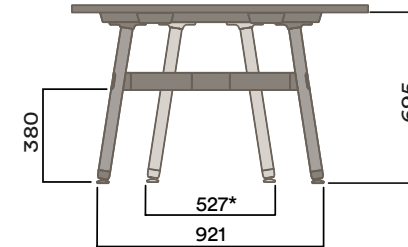
## Materials Information

### Legs

Timber Legs

- a. Ash - Standard
- b. Walnut
- c. Black solid colour with timber grain
- d. White solid colour with timber grain

OKT-1050 - 1054-XL 720 (standard height)

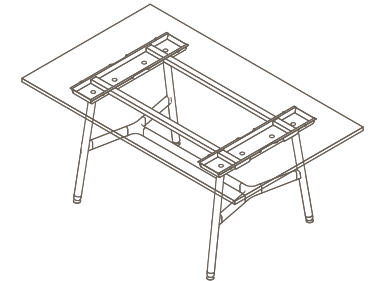
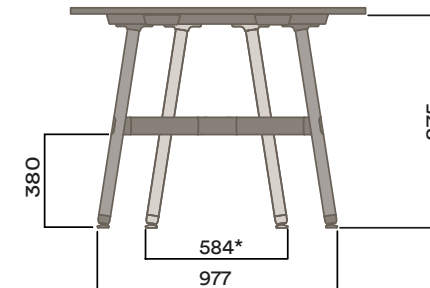
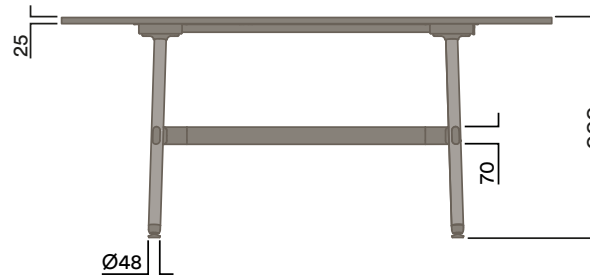


### Frame Finish

Powdercoat Steel & Aluminium Frame

- a. Matte Black
- b. White Satin
- c. Zanilla
- d. Pink Salt
- e. Nocturenelle
- f. Minted
- g. Scotland Sky
- h. Green Smoke
- i. Folie
- j. Axel
- k. Blanc
- l. Noir

OKT-9-1050 - 1054-XL 900 (bench height)



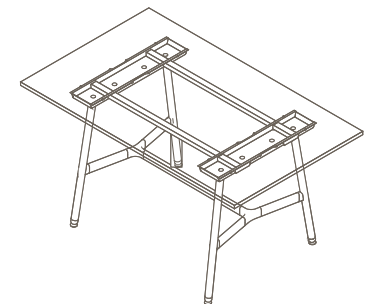
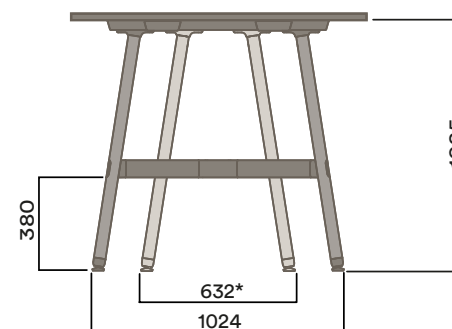
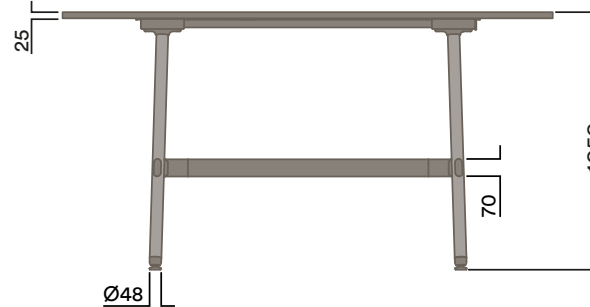
- m. Chrome Plated
- n. Black Chrome Plated

Steel Top Horn

- a. Black Powdercoat

\*Inset Legs available for Multi-leg frames

OKT-10-1050 - 1054-XL 1050 (standing height)



Maximum inc. worktop 100kg  
 Maximum Point Load 30kg  
 Seats 4 - 24

# Multi-Leg XXL Rectangle

## Materials Information

### Legs

Timber Legs

- a. Ash - Standard
- b. Walnut
- c. Black solid colour with timber grain
- d. White solid colour with timber grain

### Frame Finish

Powdercoat Steel & Aluminium Frame

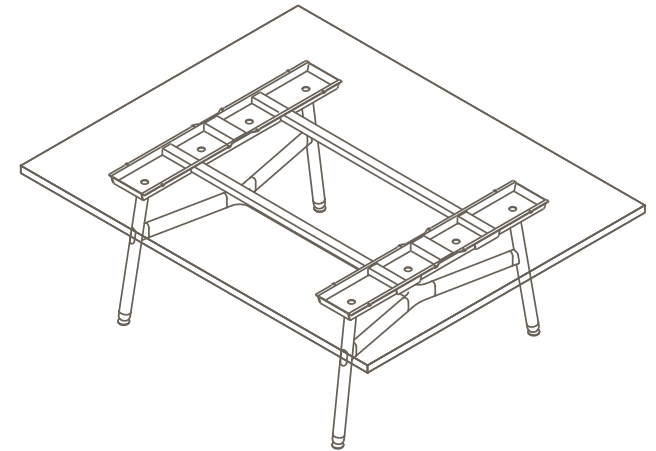
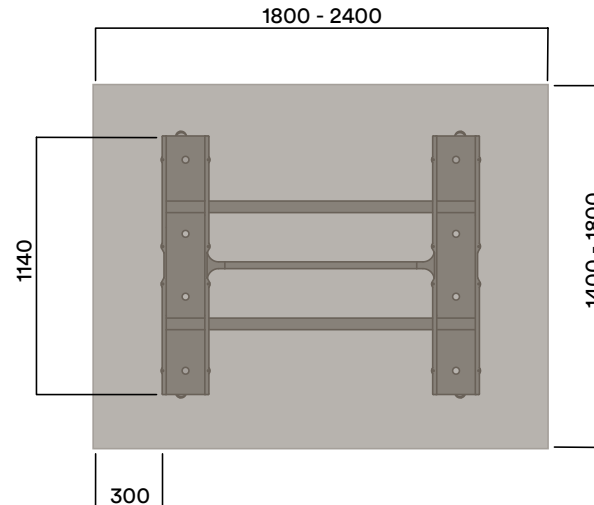
- a. Matte Black
- b. White Satin
- c. Zanilla
- d. Pink Salt
- e. Nocturenelle
- f. Minted
- g. Scotland Sky
- h. Green Smoke
- i. Folie
- j. Axel
- k. Blanc
- l. Noir
- m. Chrome Plated
- n. Black Chrome Plated

Steel Top Horn

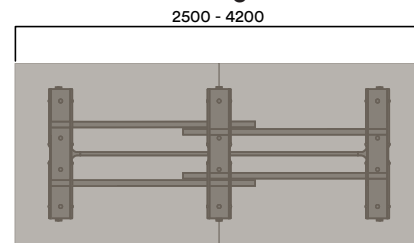
- a. Black Powdercoat

Maximum inc. worktop 100kg  
 Maximum Point Load 30kg  
 Seats 4 - 24

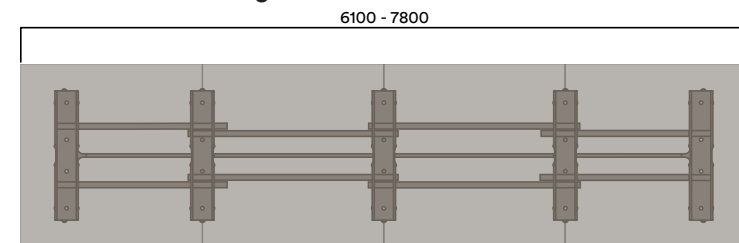
OKT-1050-XXL 4Leg



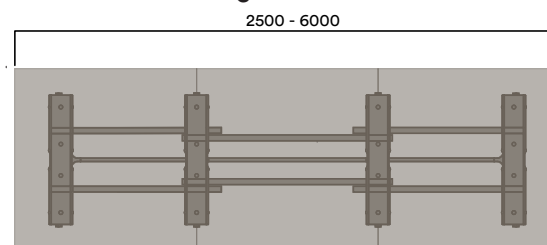
OKT-1051-XXL 6Leg



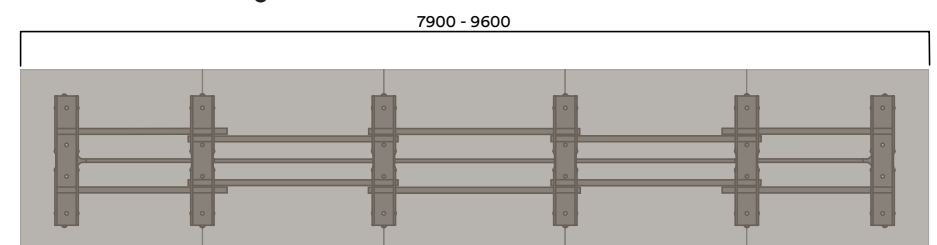
OKT-1053-XXL 10Leg



OKT-1052-XXL 8Leg



OKT-1054-XXL 12Leg



# Multi-Leg XXL Rectangle

## Materials Information

### Legs

Timber Legs

- a. Ash - Standard
- b. Walnut
- c. Black solid colour with timber grain
- d. White solid colour with timber grain

### Frame Finish

Powdercoat Steel & Aluminium Frame

- a. Matte Black
- b. White Satin
- c. Zanilla
- d. Pink Salt
- e. Nocturenelle
- f. Minted
- g. Scotland Sky
- h. Green Smoke
- i. Folie
- j. Axel
- k. Blanc
- l. Noir

- m. Chrome Plated
- n. Black Chrome Plated

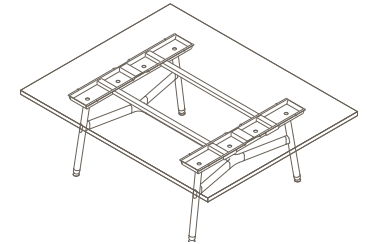
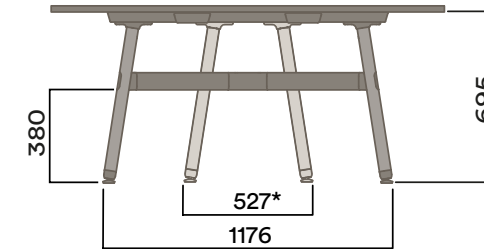
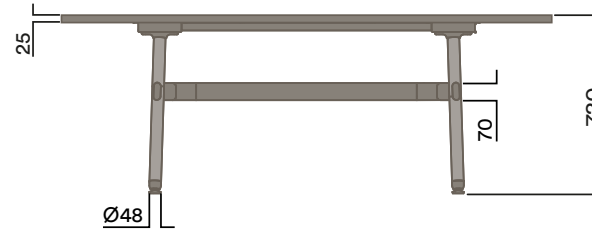
Steel Top Horn

- a. Black Powdercoat

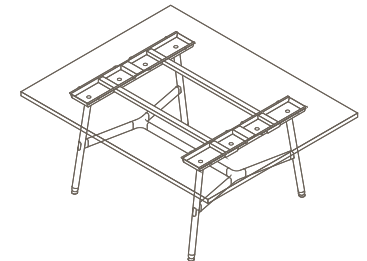
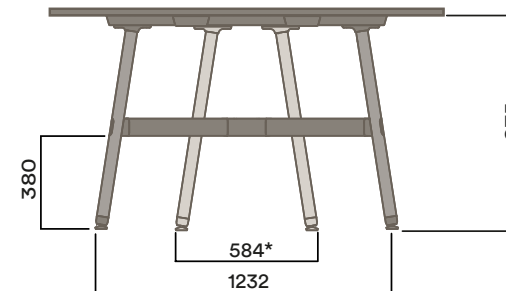
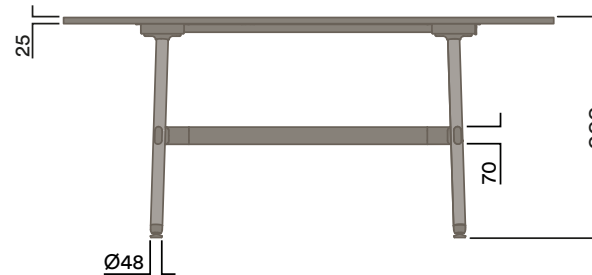
\*Inset Legs available for Multi-leg frames

Maximum inc. worktop 100kg  
 Maximum Point Load 30kg  
 Seats 4 - 24

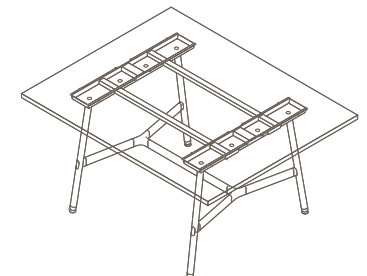
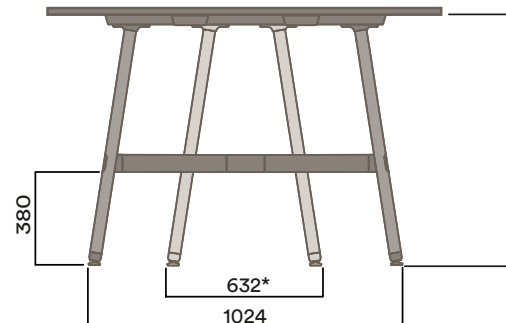
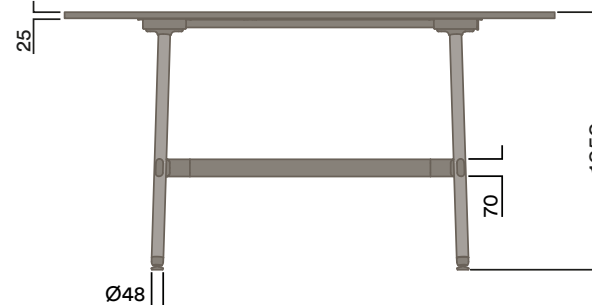
OK-1050 - 1054-XXL 720 (standard height)



OKT-9-1050 - 1054-XXL 900 (bench height)



OKT-10-1050 - 1054-XXL 1050 (standing height)



# Workstation Finishes

## 1. Legs

Our legs are all made from Timber. Ash comes as standard. We offer premium finishes of Solid Walnut and solid colour with exposed timber grain in Black or White.



## 2. Frame Finishes

Okidoki steel and aluminium frame is available in our current season powdercoat colours listed. Custom colours are also available.



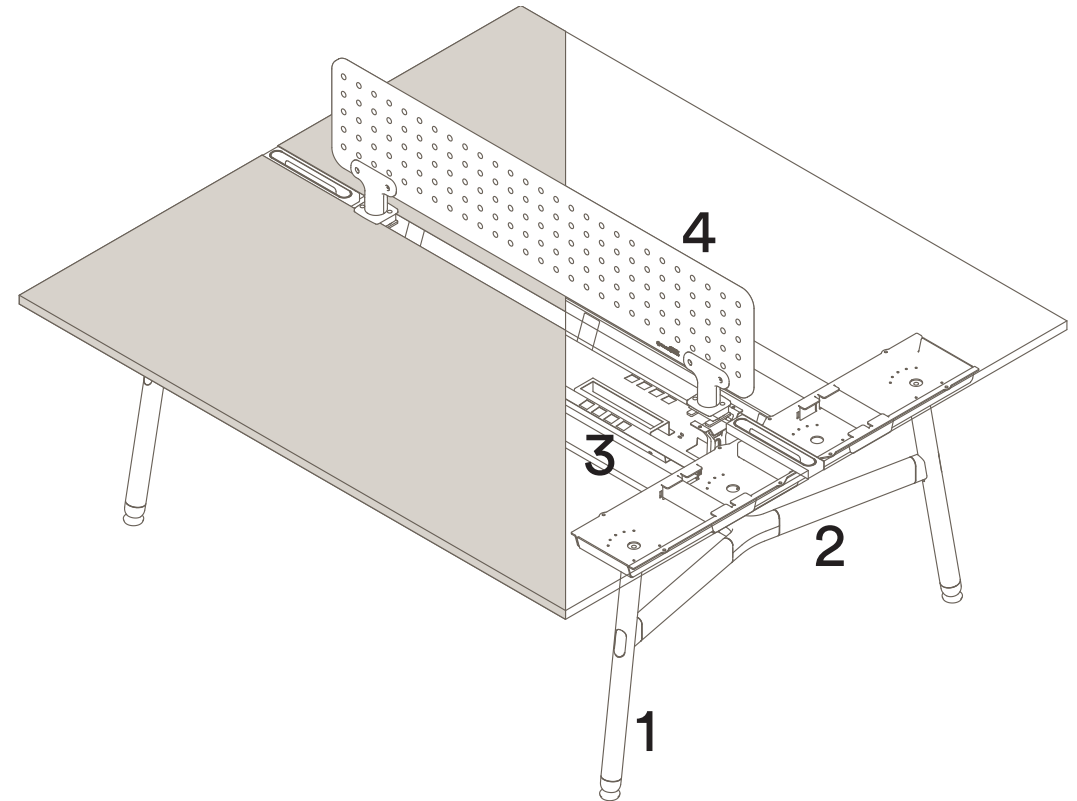
## 3. PET Cable Tray

Aside from our standard wire Cable Basket, we offer an enclosed PET Cable Tray option



## 4. Workstation Screens

Our Workstation Screens can be Fabric upholstered to suit customer needs. Screens are also available in Acoustic PET or Plywood options.



Colours are representative only, please check with your Thinking Works consultant to view samples of any specific colour.



# Workstation Double Sided

## Materials Information

### Legs

Timber Legs

- a. Ash - Standard
- b. Walnut
- c. Black solid colour with timber grain
- d. White solid colour with timber grain

### Frame Finish

Powdercoat Steel & Aluminium Frame

- a. Matte Black
- b. White Satin
- c. Zanilla
- d. Pink Salt
- e. Nocturenelle
- f. Minted
- g. Scotland Sky
- h. Green Smoke
- i. Folie
- j. Axel
- k. Blanc
- l. Noir

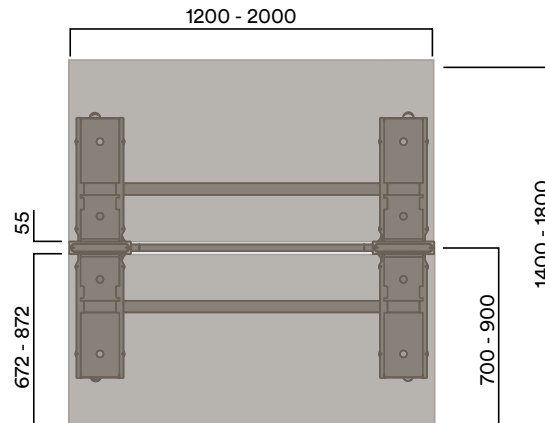
Steel Top Horn

- a. Black Powdercoat

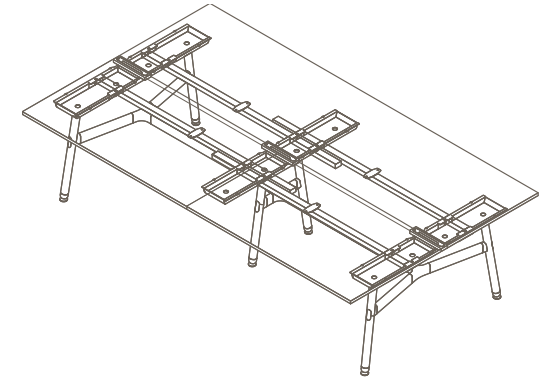
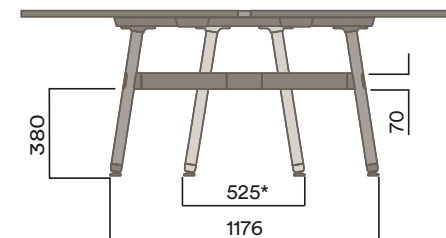
\*Inset Legs standard for back-to-back workstation configurations

Maximum inc. worktop 60kg  
 Maximum Point Load 15kg  
 Seats 2-8

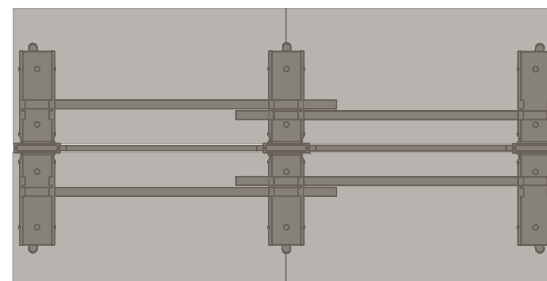
## OKW-2100 2pax



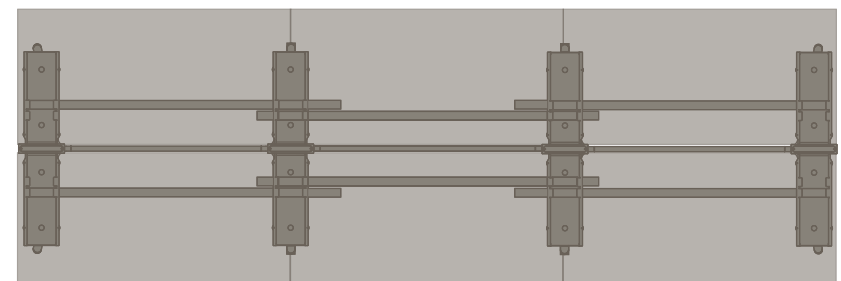
BASE HEIGHT	SIDE OFFSET
720	32
900	135
1050	135



## OKW-2200 4pax



## OKW-2300 6pax



# Workstation Double Sided

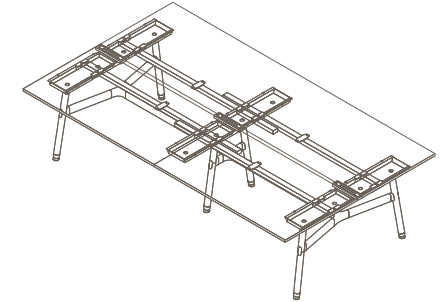
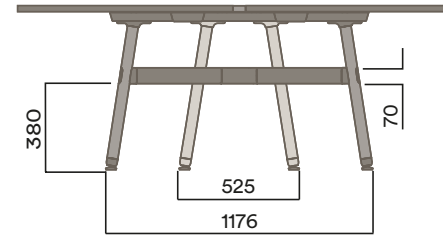
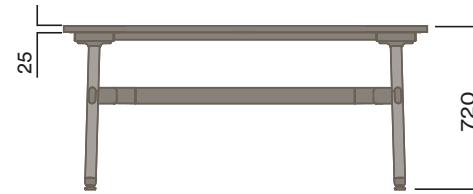
## Materials Information

### Legs

Timber Legs

- a. Ash - Standard
- b. Walnut
- c. Black solid colour with timber grain
- d. White solid colour with timber grain

OKW-2100/2200/2300 720 (standard height)

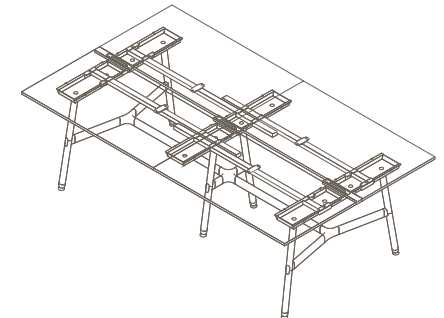
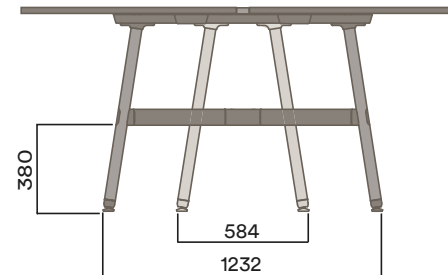
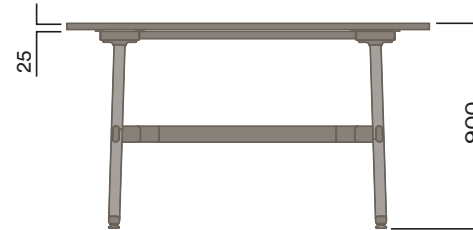


### Frame Finish

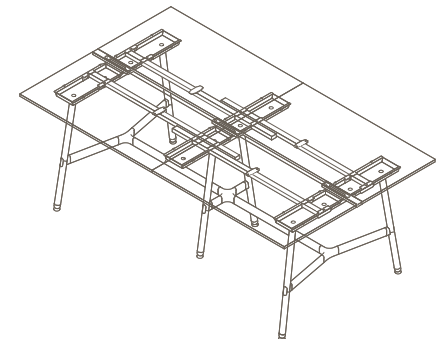
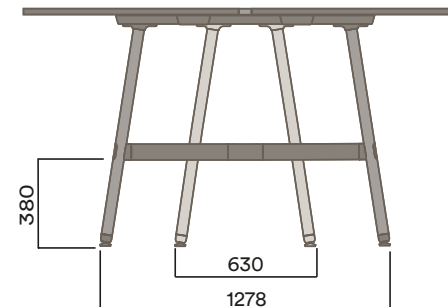
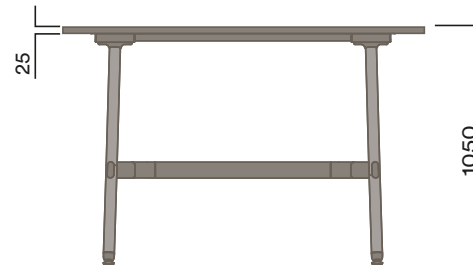
Powdercoat Steel & Aluminium Frame

- a. Matte Black
- b. White Satin
- c. Zanilla
- d. Pink Salt
- e. Nocturenelle
- f. Minted
- g. Scotland Sky
- h. Green Smoke
- i. Folie
- j. Axel
- k. Blanc
- l. Noir

OKW-9-2100/2200/2300 900 (bench height)



OKW-10-2100/2200/2300 1050 (standing height)



Steel Top Horn

- a. Black Powdercoat

Maximum inc. worktop 60kg  
 Maximum Point Load 15kg  
 Seats 2-8

# Workstation Double Sided

## Materials Information

### Spacer Block

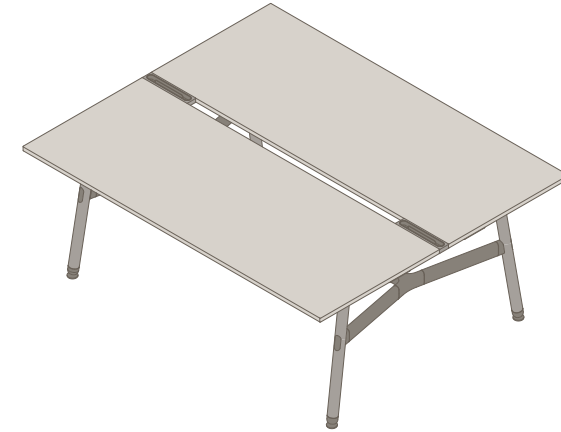
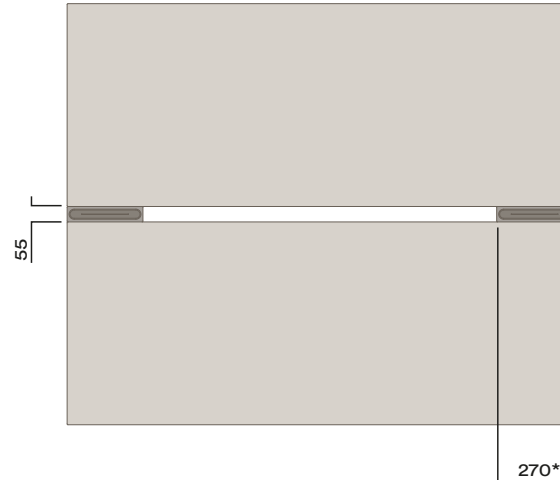
Timber Spacer

- a. Ash , Clear Lacquer
- b. Walnut
- c. Black solid colour with timber grain
- d. White solid colour with timber grain

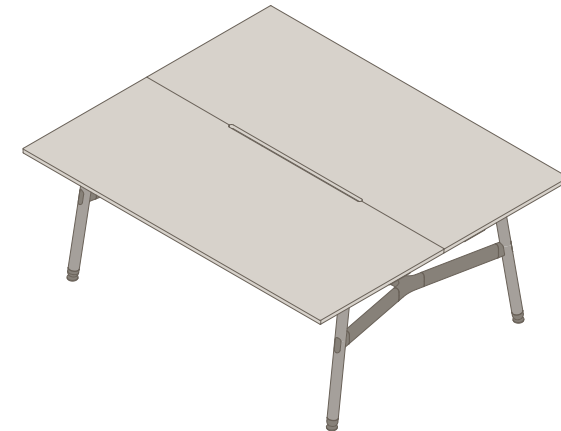
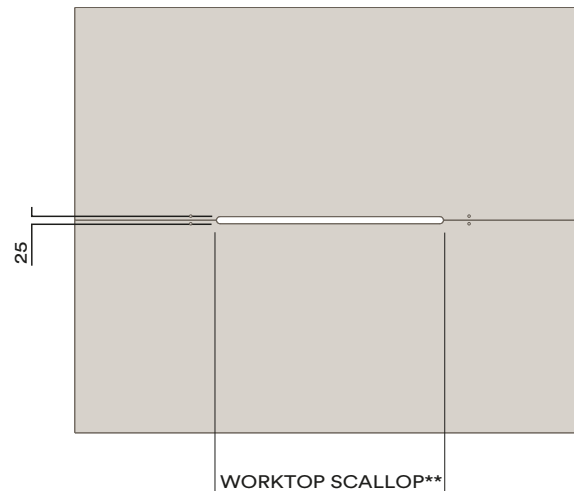
Aluminium Inner Infill

- a. Powdercoat to match frame

## 55 Workpoint Divide to suit Spacer Block



## 25 Workpoint Divide to suit Worktop Scallop



\*Spacer Blocks between worktops required to achieve 55mm gap between back-to-back workpoints for cable management

\*\*Scallop in worktop required to achieve 25mm gap between back-to-back workpoints for cable management

# Workstation Single Sided

## Materials Information

### Legs

Timber Legs

- a. Ash - Standard
- b. Walnut
- c. Black solid colour with timber grain
- d. White solid colour with timber grain

### Frame Finish

Powdercoat Steel & Aluminium Frame

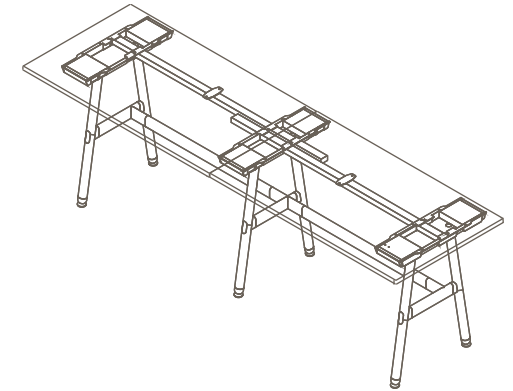
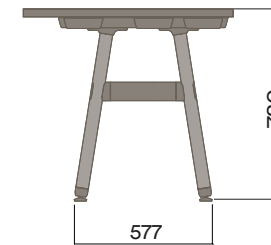
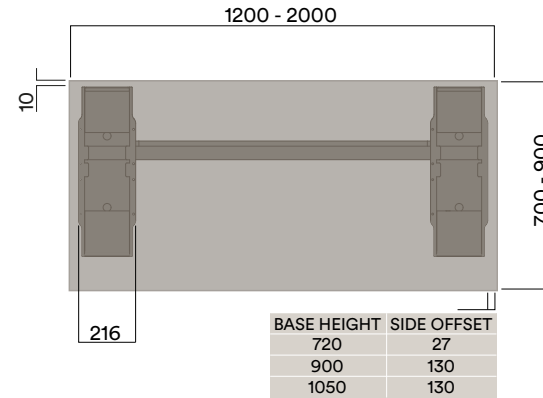
- a. Matte Black
- b. White Satin
- c. Zanzilla
- d. Pink Salt
- e. Nocturenelle
- f. Minted
- g. Scotland Sky
- h. Green Smoke
- i. Folie
- j. Axel
- k. Blanc
- l. Noir

Steel Top Horn

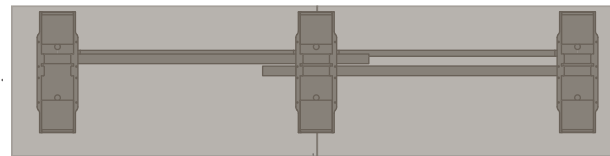
- a. Black Powdercoat

Maximum inc. worktop 60kg  
 Maximum Point Load 15kg  
 Seats 1-4

## OKW-1100 1pax



## OKW-1200 2pax



## OKW-1300 3pax



# Workstation Single Sided

## Materials Information

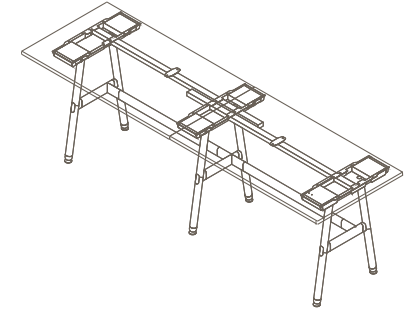
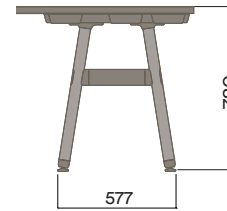
### Legs

Timber Legs

- a. Ash - Standard
- b. Walnut
- c. Black solid colour with timber grain
- d. White solid colour with timber grain

OKW-1100/1200/1300

720 (standard height)



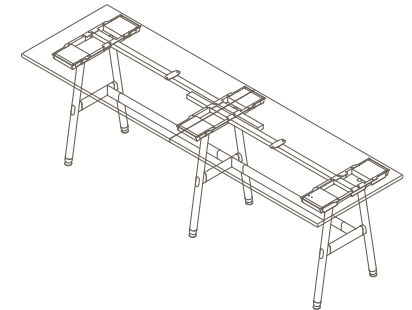
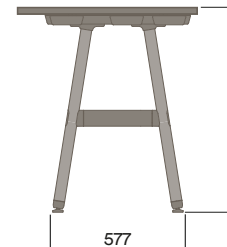
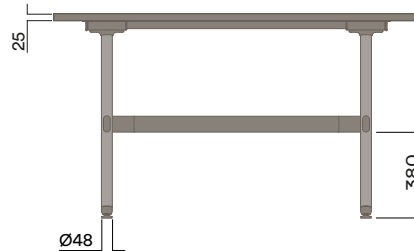
## Frame Finish

Powdercoat Steel & Aluminium Frame

- a. Matte Black
- b. White Satin
- c. Zanilla
- d. Pink Salt
- e. Nocturenelle
- f. Minted
- g. Scotland Sky
- h. Green Smoke
- i. Folie
- j. Axel
- k. Blanc
- l. Noir

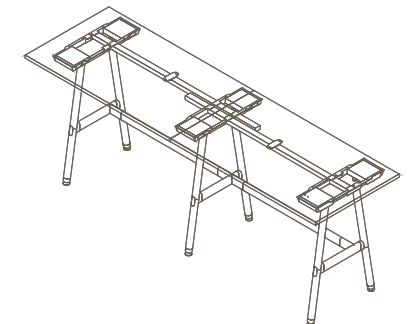
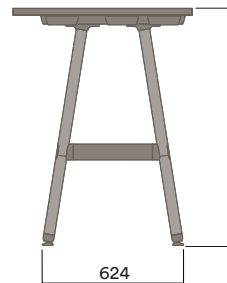
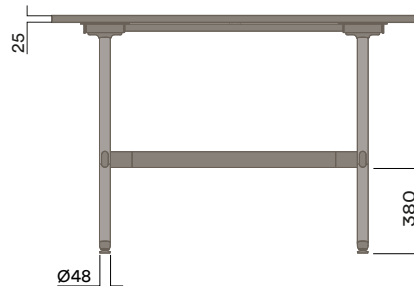
OKW-9-100/1200/1300

900 (bench height)



OKW-10-100/1200/1300

1050 (standing height)



Steel Top Horn

- a. Black Powdercoat

Maximum inc. worktop 60kg  
Maximum Point Load 15kg  
Seats 1-4

# Workstation Return

## Materials Information

### Legs

Timber Legs

- Ash - Standard
- Walnut
- Black solid colour with timber grain
- White solid colour with timber grain

### Frame Finish

Powdercoat Steel & Aluminium Frame

- Matte Black
- White Satin
- Zanilla
- Pink Salt
- Nocturnelle
- Minted
- Scotland Sky
- Green Smoke
- Folie
- Axel
- Blanc
- Noir

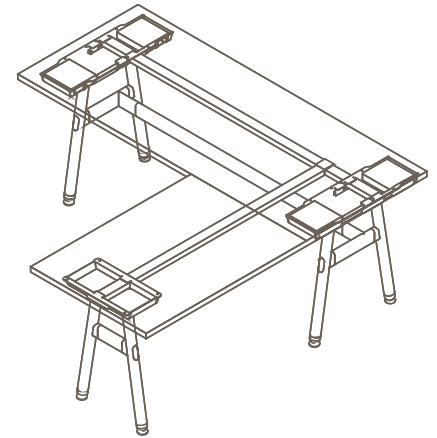
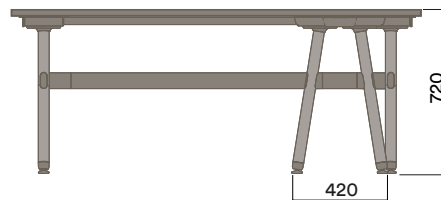
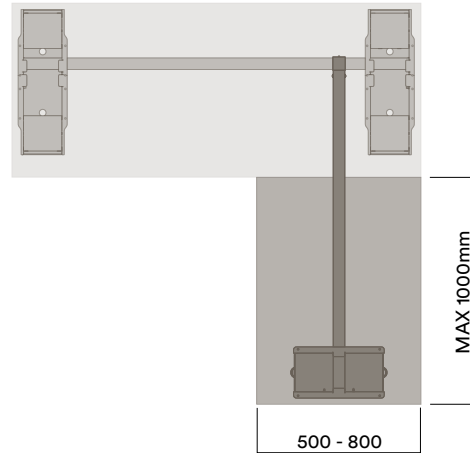
Steel Top Horn

- Black Powdercoat

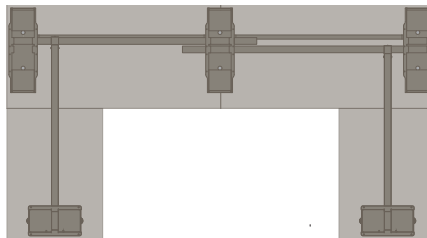
Maximum inc. worktop 60kg  
 Maximum Point Load 15kg  
 Seats 1-4

## OKW-R-1010

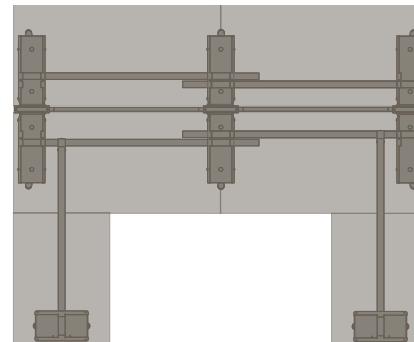
## Return Kit



## Single Sided Return



## Double Sided Return



# Workstation Accessories

## Materials Information

### Cable Tray

PET Cable Tray Panel

- a. Light Grey
- b. Dark Grey

Steel Segregation Gutter/Worktop Brackets

- a. Black Powdercoat

Powdercoat Steel Basket End Cap

- a. Matte Black
- b. Satin White
- c. Other Colour
- d. Light Grey - to match PET
- e. Dark Grey - to match PET
- f. to match Frame

### Cable Basket

Wire Cable Basket

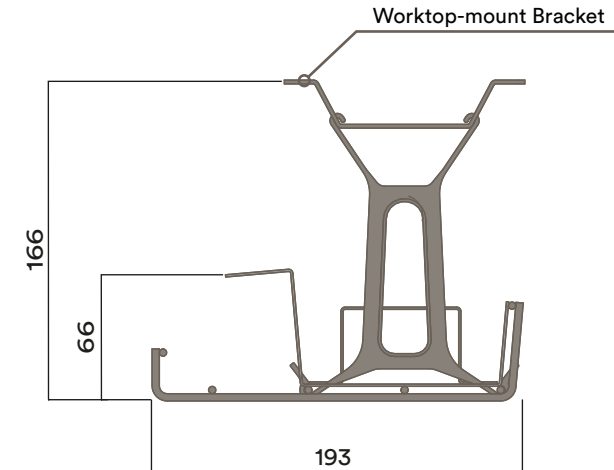
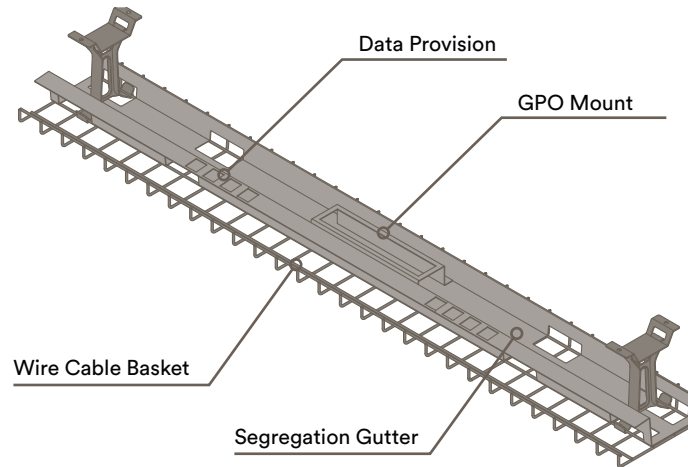
- a. Black Powdercoat

Steel Segregation Gutter/Worktop Brackets

- a. Black Powdercoat

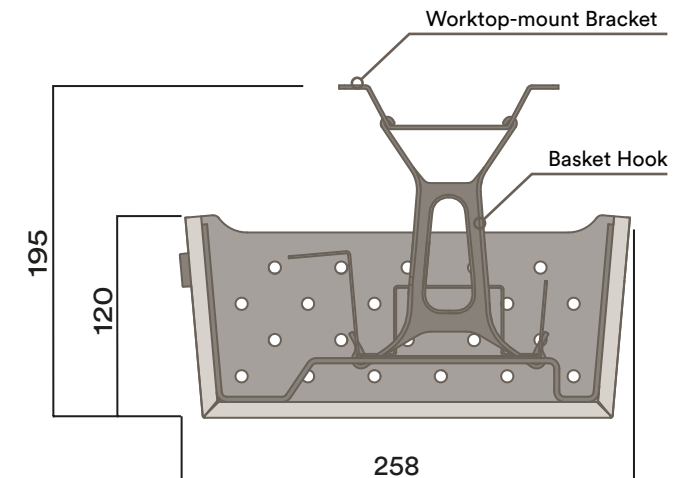
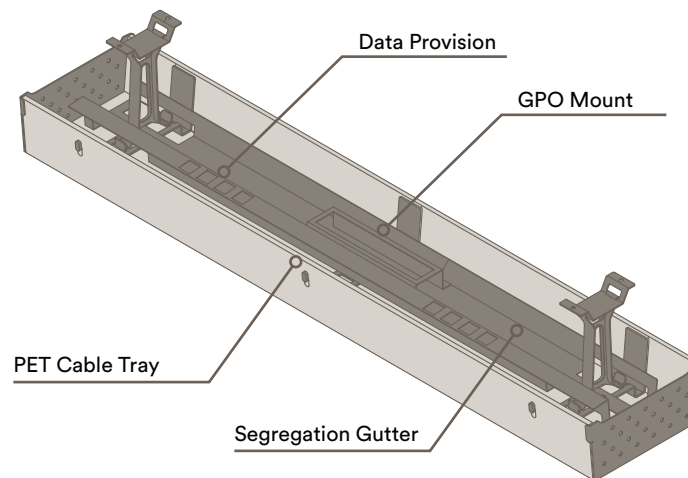
## OKW-4100 Series

### Single Sided Cable Basket



## OKW-3500 Series

### Single Sided PET Cable Tray



# Workstation Accessories

## Materials Information

### Cable Tray

PET Cable Tray Panel

- a. Light Grey
- b. Dark Grey

Steel Segregation Gutter/Worktop Brackets

- a. Black Powdercoat

Powdercoat Steel Basket End Cap

- a. Matte Black
- b. Satin White
- c. Other Colour
- d. Light Grey - to match PET
- e. Dark Grey - to match PET
- f. to match Frame

### Cable Basket

Wire Cable Basket

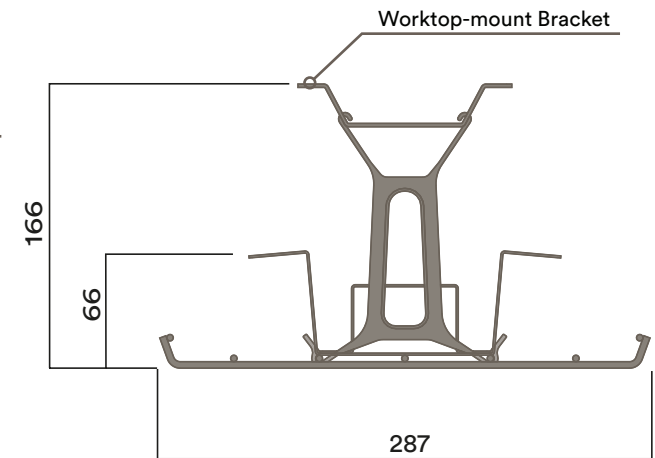
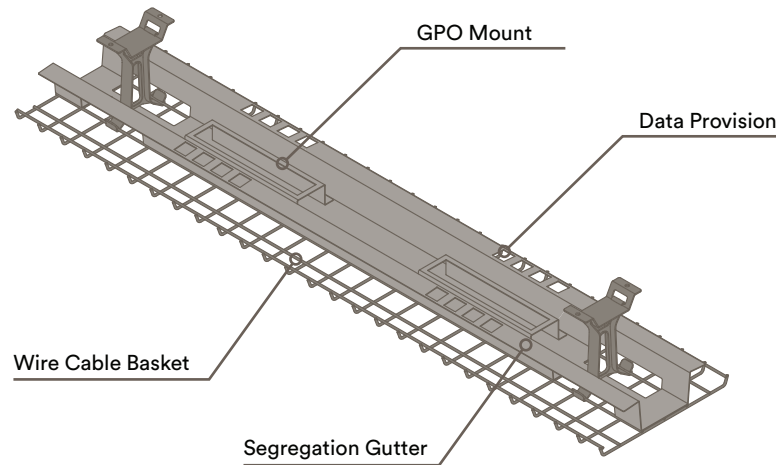
- a. Black Powdercoat

Steel Segregation Gutter/Worktop Brackets

- a. Black Powdercoat

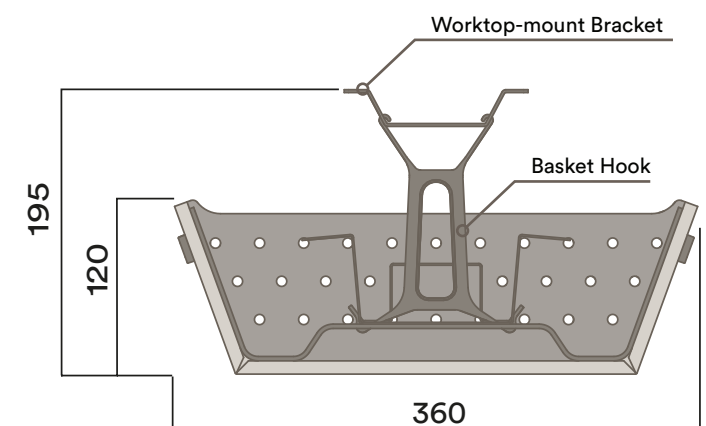
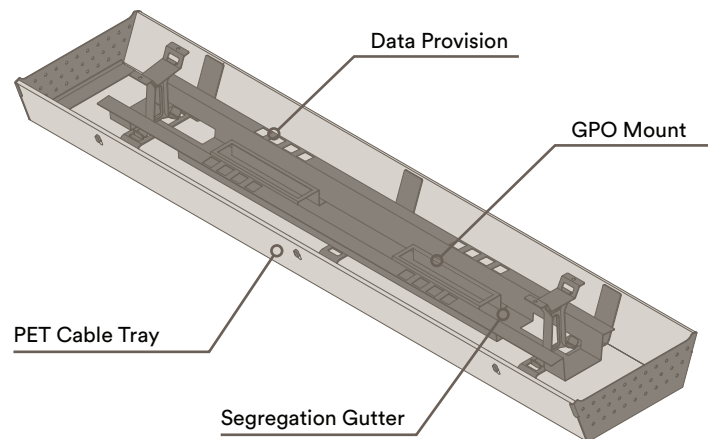
## OKW-4200 Series

### Double Sided Cable Basket



## OKW-3400 Series

### Double Sided PET Cable Tray





# Workstation Accessories

## Materials Information

### Spacer Block

Timber Spacer

- a. Ash, Clear Lacquer
- b. Walnut
- c. Black solid colour with timber grain
- d. White solid colour with timber grain

Powdercoat Aluminium Inner Infill

- a. to match frame

### Quiet Screen

Upholstered Screen Panel

- a. Customer Supplied Fabric

### Acoustic Screen

PET Screen Panel

- a. Light Grey
- b. Dark Grey

### Screen Mounts

Powdercoat Aluminium Screen Mounts

- a. to match frame
- b. Other Colour

### Rails Spacer Dimensions

\*to suit middle leg sets (all heights) and 720 end legs

\*\*to suit 900 (bench) and 1050 (standing) end legs

### \*Screen Mounting Method

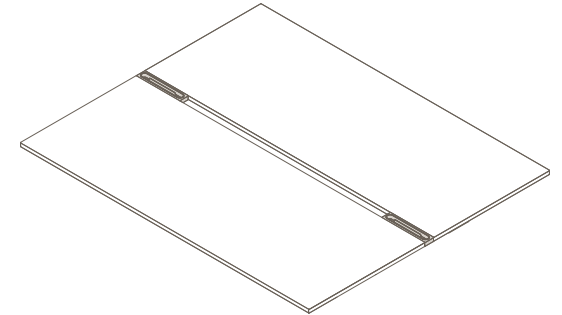
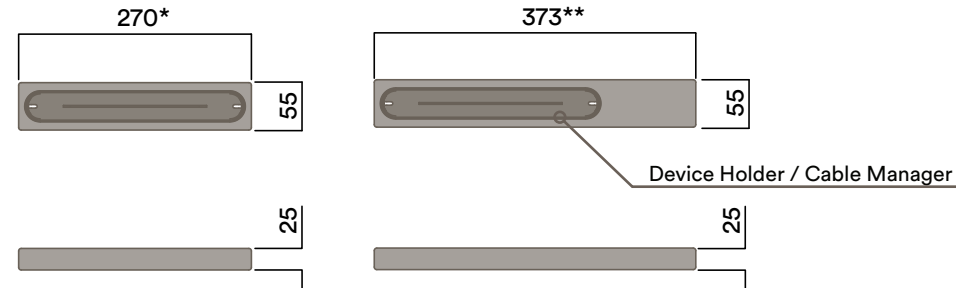
Between worktop for 55mm Gap configurations

Through worktop for 25mm Gap configurations

Slide-on for Single Sided configurations

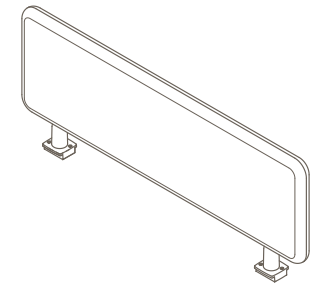
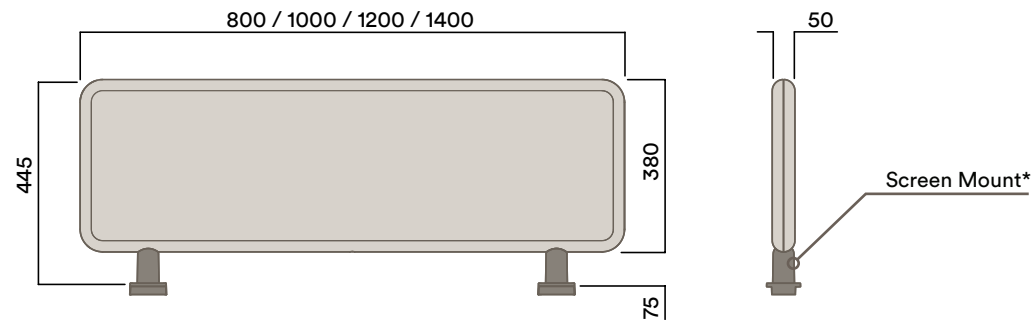
## Spacer Block

to suit 55 Gap Double Sided



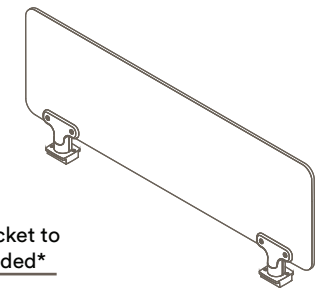
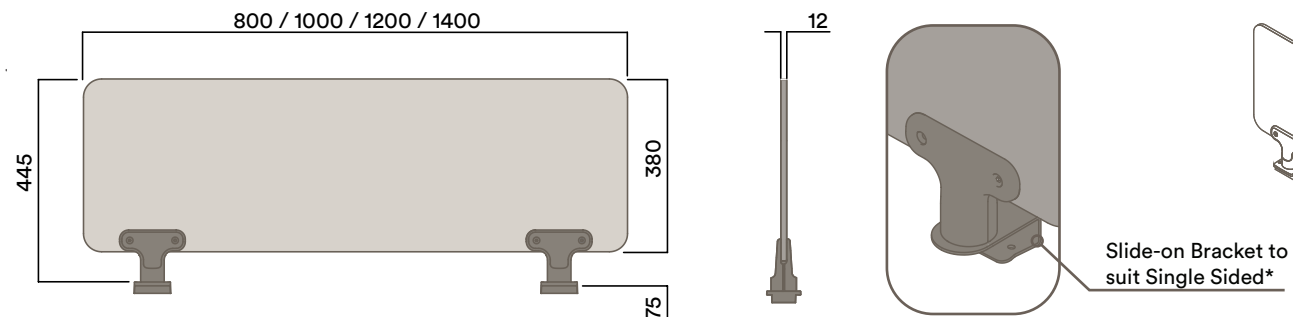
## Quiet Screen

Upholstered



## Acoustic Screen

PET Panel



# Workstation Accessories

## Materials Information

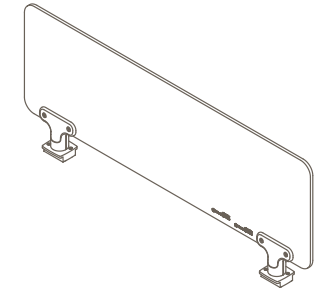
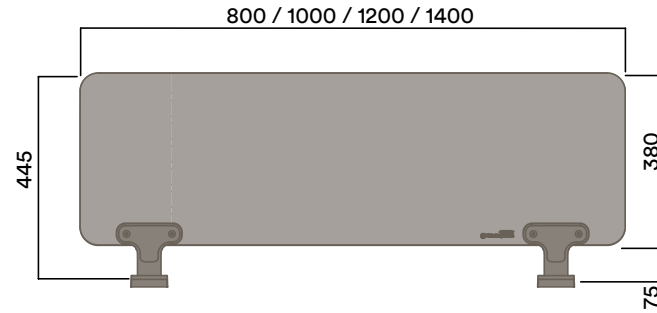
### Timber Screen

Plywood Screen Panel

- a. Ash, Clear Lacquer
- b. Walnut
- c. Black solid colour with timber grain
- d. White solid colour with timber grain

### Timber Screen

### Plywood



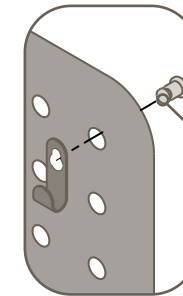
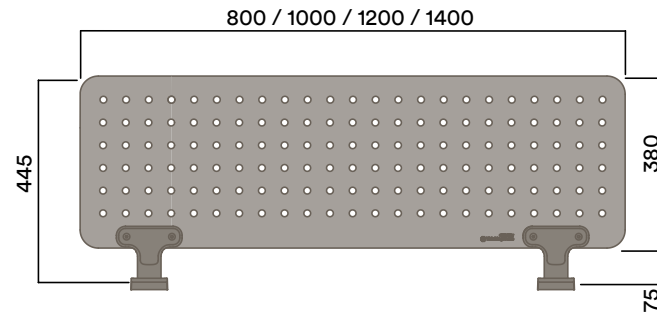
### Screen Mounts

Powdercoat Aluminium Screen Mounts

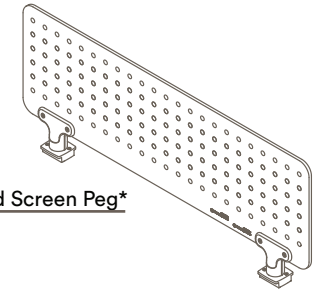
- a. to match frame
- b. Other Colour

### Timber Screen

### Perforated Plywood



Plywood Screen Peg\*



### Screen Accessories

Powdercoat sheet metal Accessories

- a. to match frame
- b. Other Colour

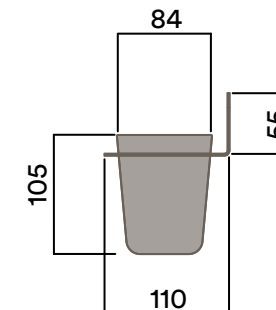
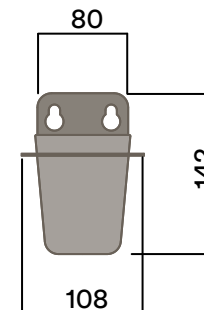
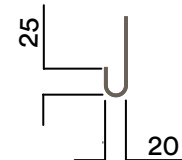
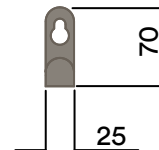
### Concrete Pot

- a. Grey Concrete

### Screen Accessory

### Hook

### Concrete Pot



\*Screen Accessories and Pegs only available for Perforated Plywood Screen

# Workstation Accessories

## Materials Information

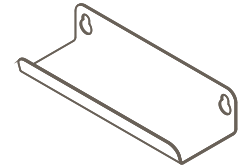
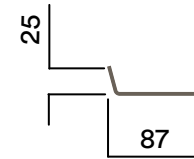
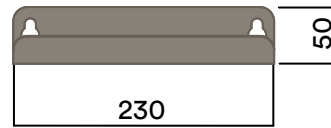
### Screen Accessories

Powdercoat sheet metal Accessories

- a. to match frame
- b. Other Colour

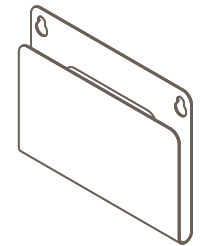
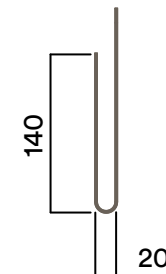
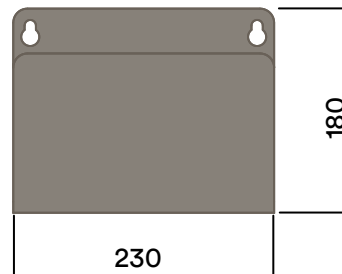
## Screen Accessory

### Shelf



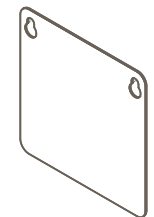
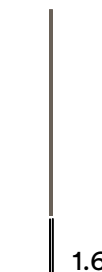
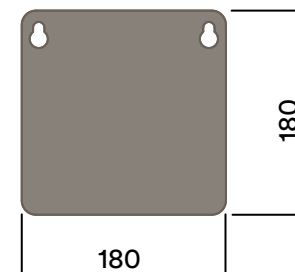
## Screen Accessory

### Document File



## Screen Accessory

### Memo Board





## **Specification**

If you would like a sample set of any of our finishes, please call us on 61 (0)2 9726 7177 or e-mail at [sales@thinkingw.com](mailto:sales@thinkingw.com).

Due to our policy of continuous product development, specifications and finishes may change without prior notice.

## **Sustainability Policy**

We realise the importance of responsible business practices and have in place numerous product and company sustainability certifications. We would encourage you to download our annual Sustainability Report from the Thinking Works website to get a full overview of our sustainability program.

Thinking Works  
© Copyright 2018  
All right reserved

Thinking Works  
25 Helles Avenue  
Moorebank  
New South Wales 2170

[www.thinkingw.com](http://www.thinkingw.com)  
61 (0)2 9726 7177  
[sales@thinkingw.com](mailto:sales@thinkingw.com)