



Fluid

Specification Guide

Fluid

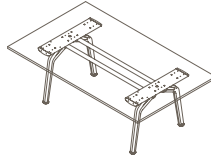
Bold Aesthetic and Unique Profile.

Fluid forms collaborative workbenches, desks and tables with a bold aesthetic and unique leg profile, making it stand out from a traditional bench-style workpoint.

Fluid

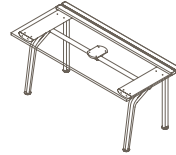
Tables

5 – 12



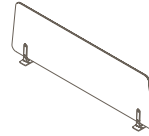
Workstation

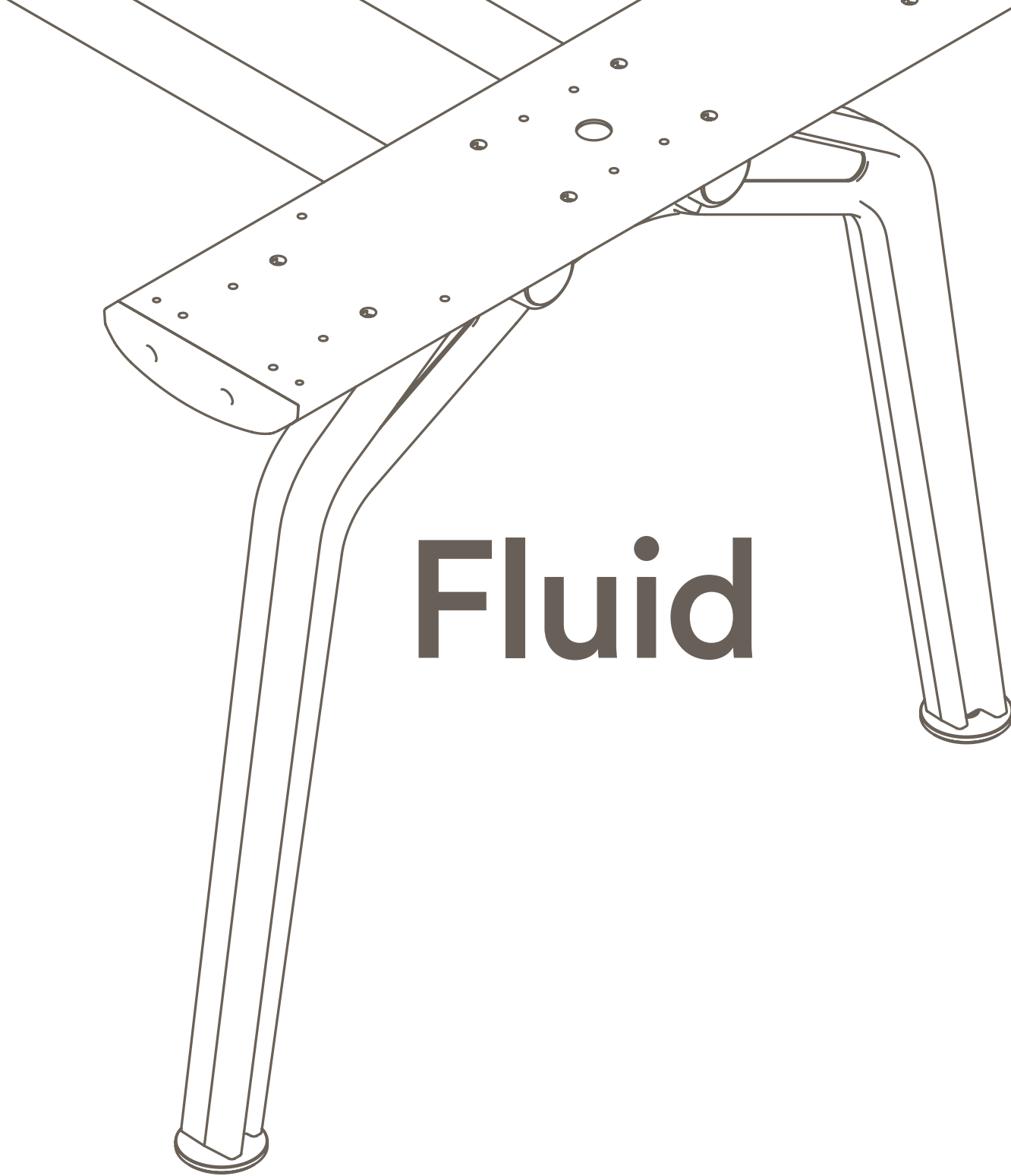
15 – 17



Accessories

18 – 21



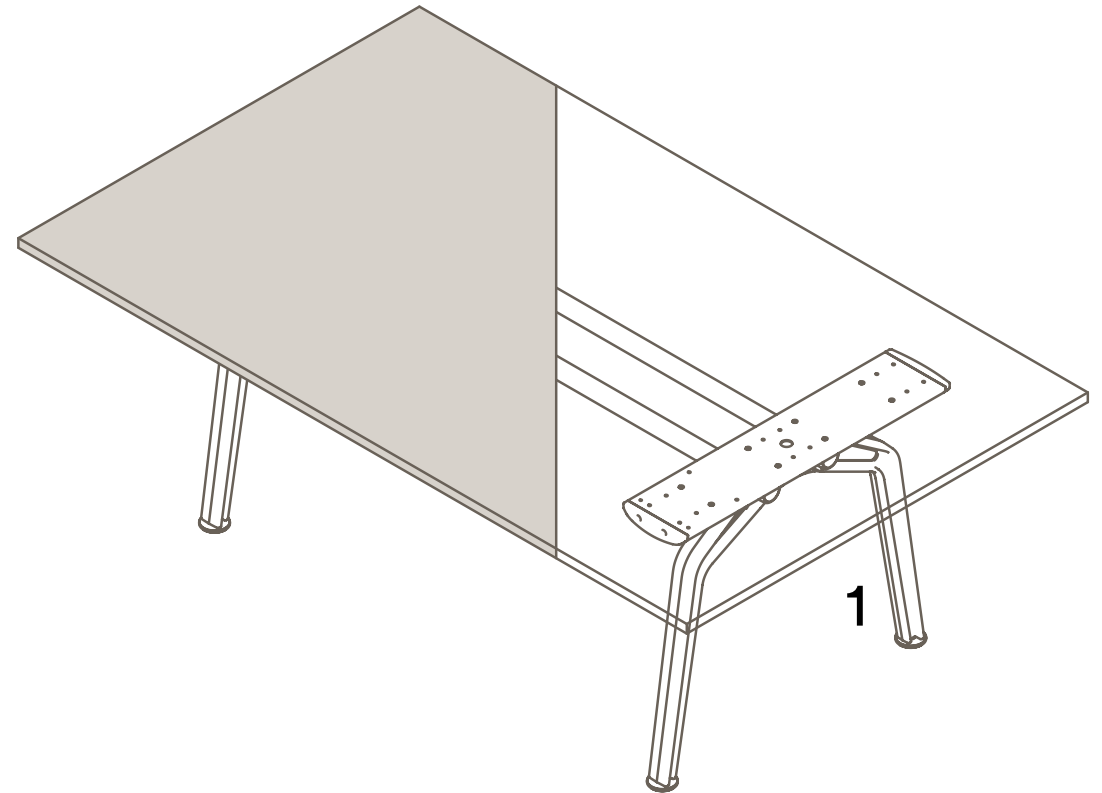


Fluid

Tables Finishes

1. Frame Finishes

Supported by a black powdercoat framework with white or black aluminium legs, Fluid legs are also available in our current seasonal powdercoat colours. Custom colours are also available.



Colours are representative only, please check with your Thinking Works consultant to view samples of any specific colour.

Tables Rectangle

Materials Information

Frame Finishes

Aluminium Legs

Standard Leg Finishes

- a. Black
- b. White

Premium Leg Finishes

- a. Zanilla
- b. Pink Salt
- c. Nocturnelle
- d. Minted
- e. Scotland Sky
- f. Green Smoke
- g. Folie
- h. Axel
- i. Blanc
- j. Noir

Aluminium Top Horn

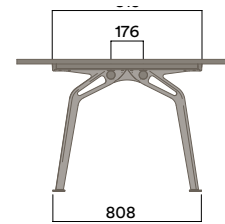
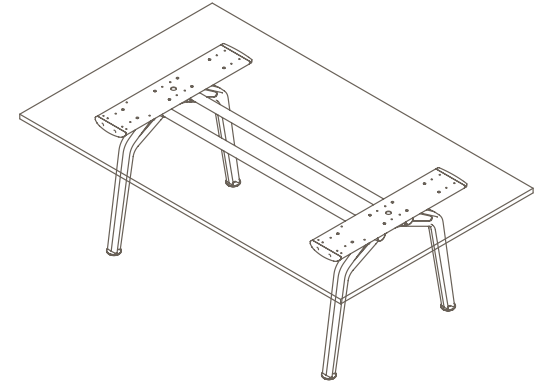
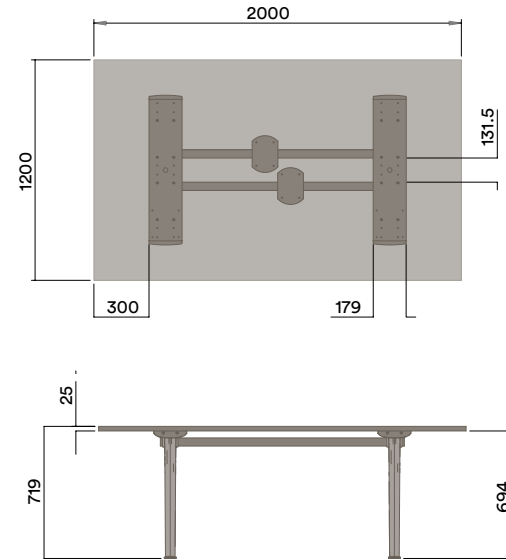
- a. Black Powdercoat

Steel Rails

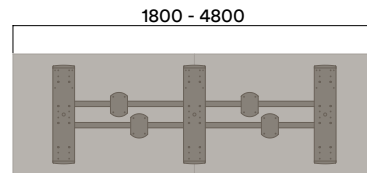
- a. Black Powdercoat

Maximum inc. worktop 160kg
 Maximum Point Load 50kg
 Seats 4 - 24

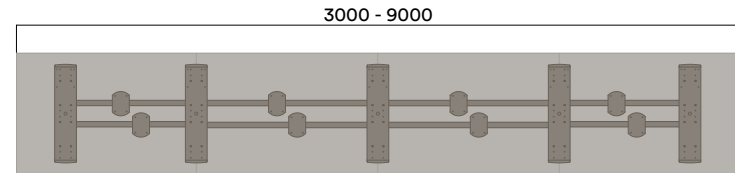
FL-1050 4Leg



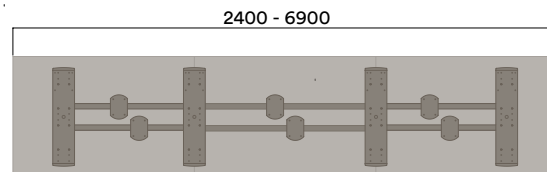
FL-1051 6Leg



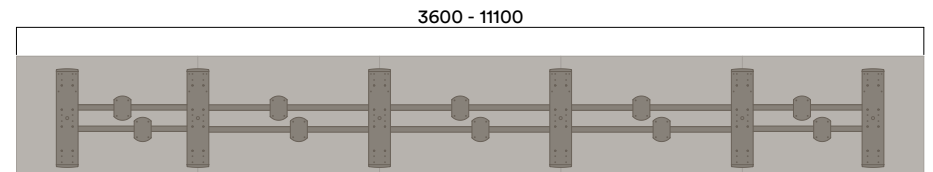
FL-1052 10Leg



FL-1053 8Leg



FL-1054 12Leg



Tables

XL Rectangle

Materials Information

Frame Finishes

Aluminium Legs

Standard Leg Finishes

- a. Black
- b. White

Premium Leg Finishes

- a. Zanilla
- b. Pink Salt
- c. Nocturnelle
- D. Minted
- e. Scotland Sky
- f. Green Smoke
- g. Folie
- h. Axel
- i. Blanc
- j. Noir

Aluminium Top Horn

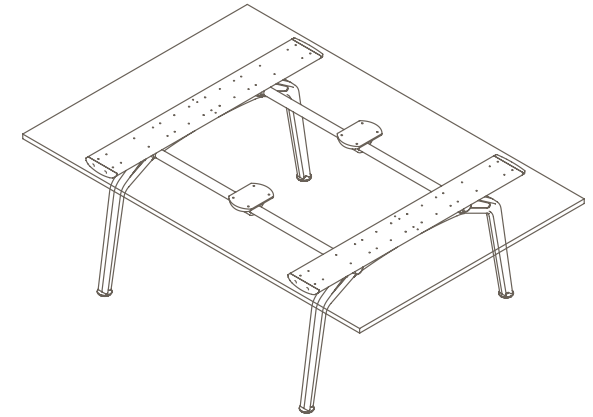
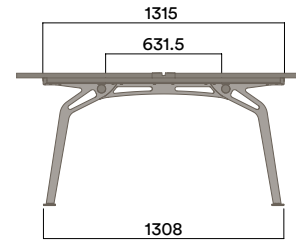
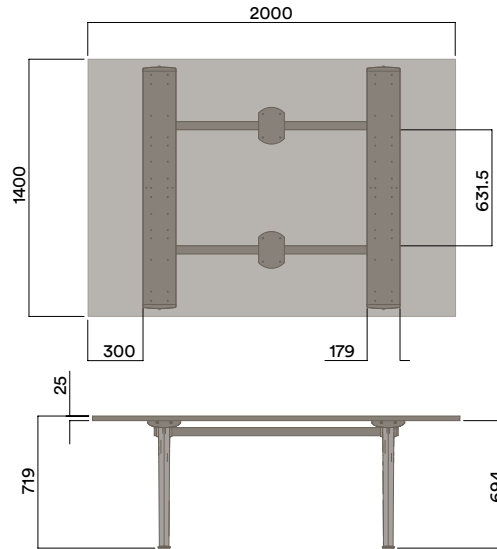
- a. Black Powdercoat

Steel Rails

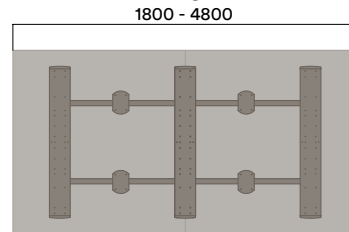
- a. Black Powdercoat

Maximum inc. worktop 160kg
 Maximum Point Load 50kg
 Seats 4 - 24

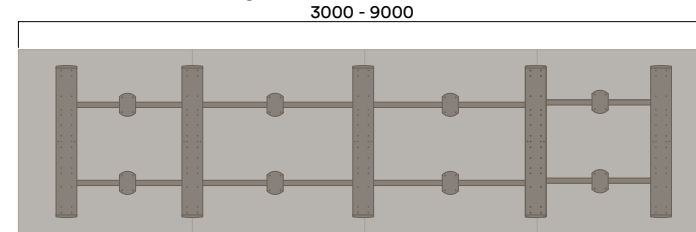
FL-1050-XL 4Leg



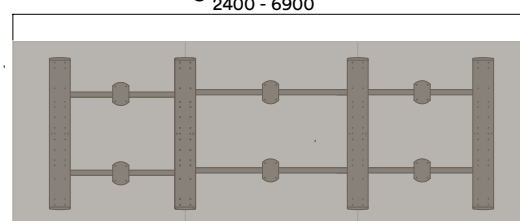
FL-1051-XL 6Leg



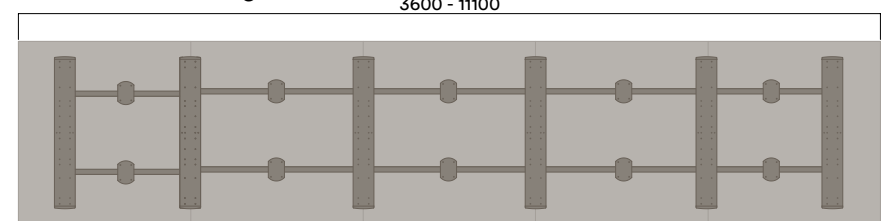
FL-1052-XL 10Leg



FL-1053-XL 8Leg



FL-1054-XL 12Leg



Workstation Finishes

1. Frame Finishes

Supported by a black powdercoat framework with white or black aluminium legs, Fluid legs are also available in our current seasonal powdercoat colours. Custom colours are also available. The central accessory extrusion is available in white and black powdercoat.



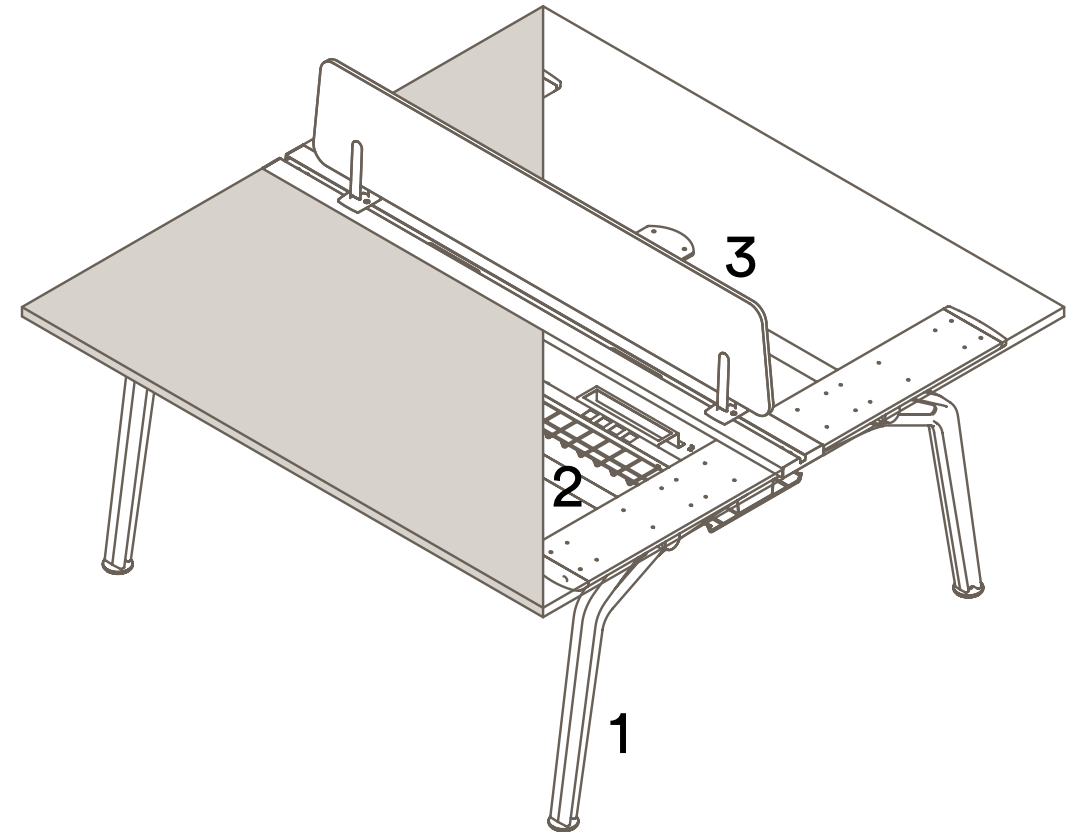
2. Cable Basket

Our wire cable management basket comes standard in black powdercoat.



3. Workstation Screens

Workstation Screens can be fabric upholstered to suit customer needs. Screens are also available in Acoustic PET and Acrylic options



Colours are representative only, please check with your Thinking Works consultant to view samples of any specific colour.

Workstation Double Sided

Materials Information

Frame Finishes

Aluminium Legs

Standard Leg Finishes

- a. Black
- b. White

Premium Leg Finishes

- a. Zanita
- b. Pink Salt
- c. Nocturnelle
- d. Minted
- e. Scotland Sky
- f. Green Smoke
- g. Folie
- h. Axel
- i. Blanc
- j. Noir

Aluminium Top Horn

- a. Black Powdercoat

Steel Rails

- a. Black Powdercoat

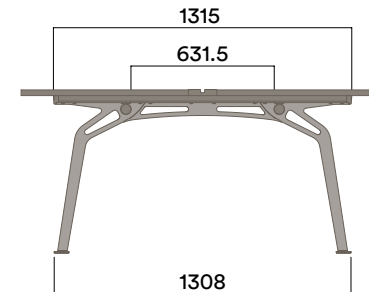
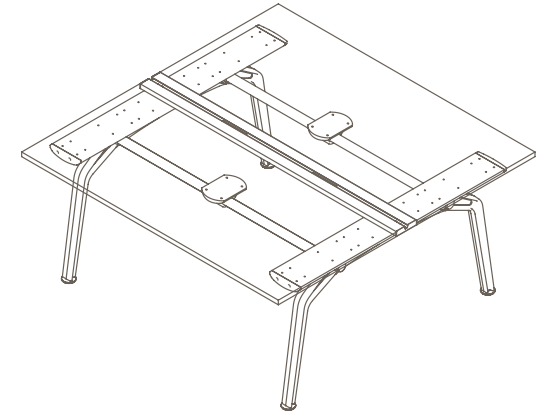
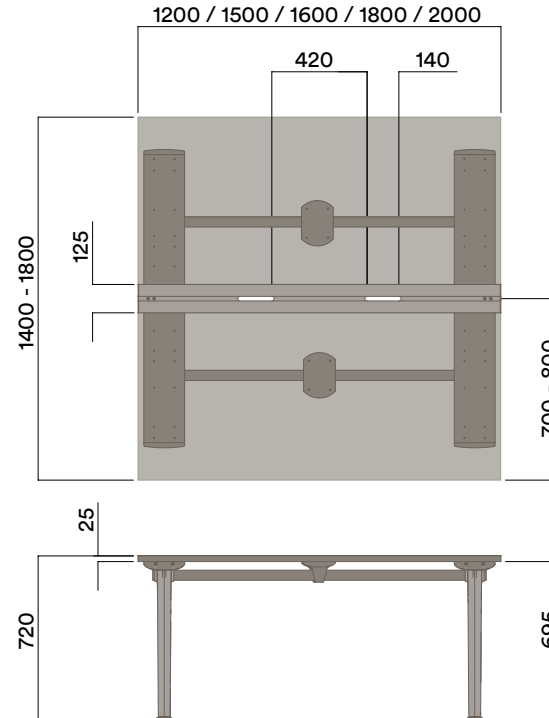
Extrusion Finish

Accessory Mount Extrusion

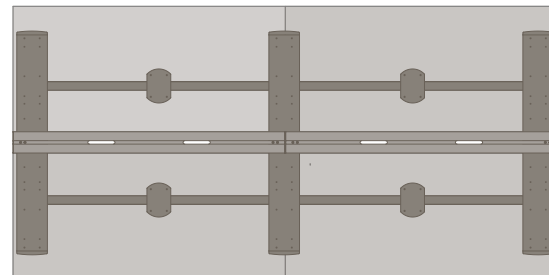
- a. White
- b. Black

Maximum inc. worktop 80kg
 Maximum Point Load 50kg
 Seats 2-6

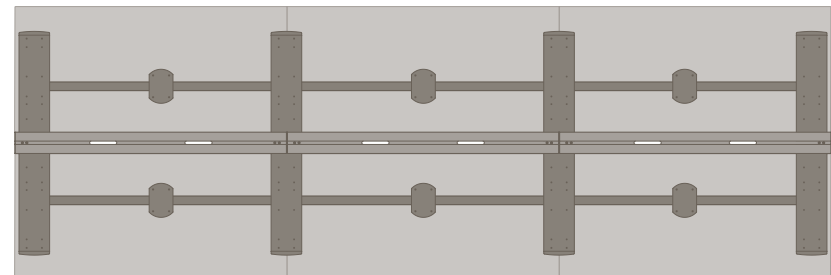
BLW-2100 2pax



BLW-2200 4pax



BLW-2300 6pax



Workstation Single Sided

Materials Information

Frame Finishes

Aluminium Legs

Standard Leg Finishes

- a. Black
- b. White

Premium Leg Finishes

- a. Zanita
- b. Pink Salt
- c. Nocturnelle
- d. Minted
- e. Scotland Sky
- f. Green Smoke
- g. Folie
- h. Axel
- i. Blanc
- j. Noir

Aluminium Top Horn

- a. Black Powdercoat

Steel Rails

- a. Black Powdercoat

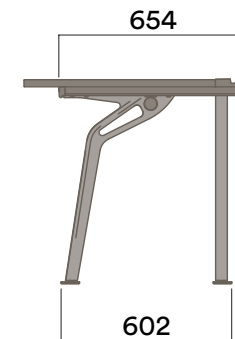
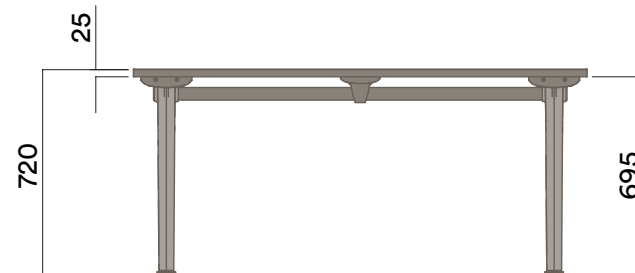
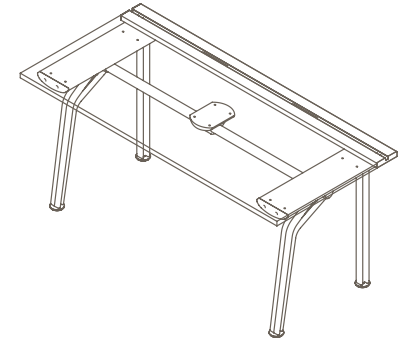
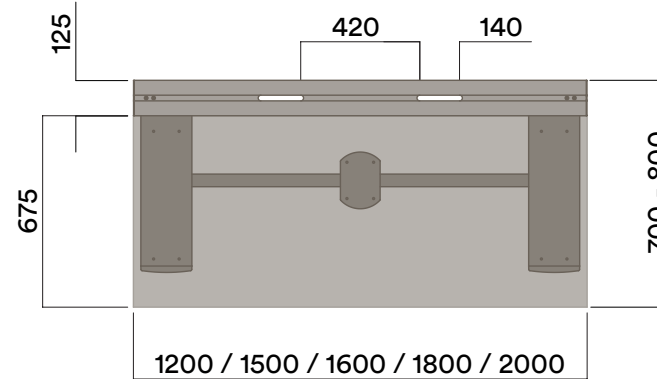
Extrusion Finish

Accessory Mount Extrusion

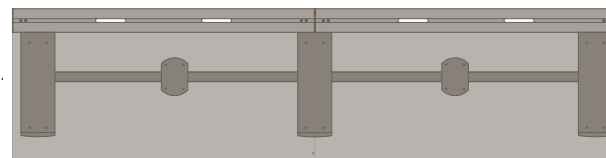
- a. White
- b. Black

Maximum inc. worktop 80kg
 Maximum Point Load 50kg
 Seats 1-3

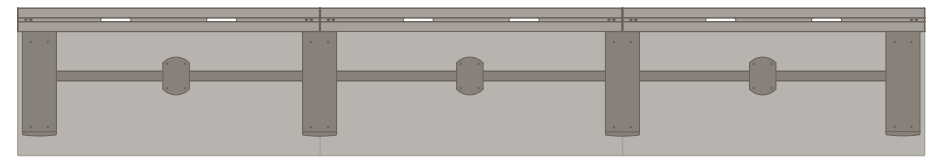
OKW-1100 1pax



OKW-1200 2pax



OKW-1300 3pax



Workstation Accessories

Materials Information

Cable Basket

Wire Cable Basket

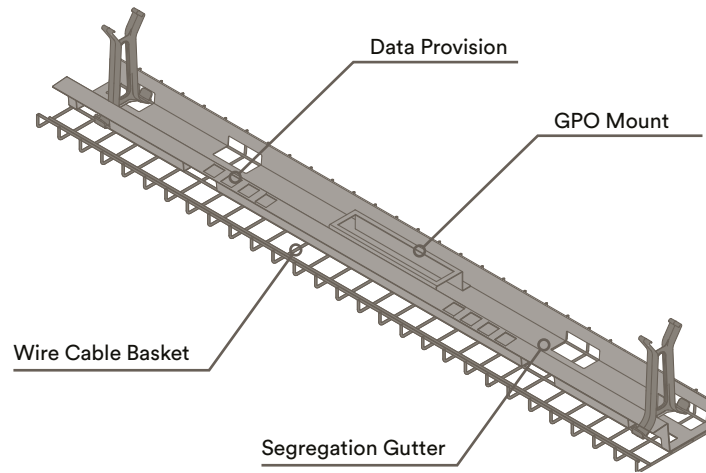
a. Black Powdercoat

Steel Segregation Gutter/Worktop Brackets

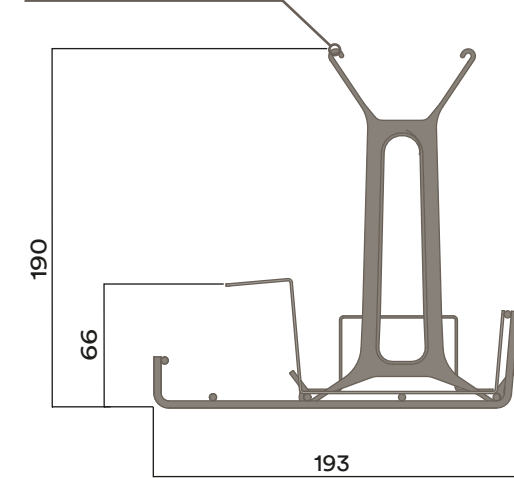
a. Black Powdercoat

WSA-1100 Series

Single Sided Cable Basket

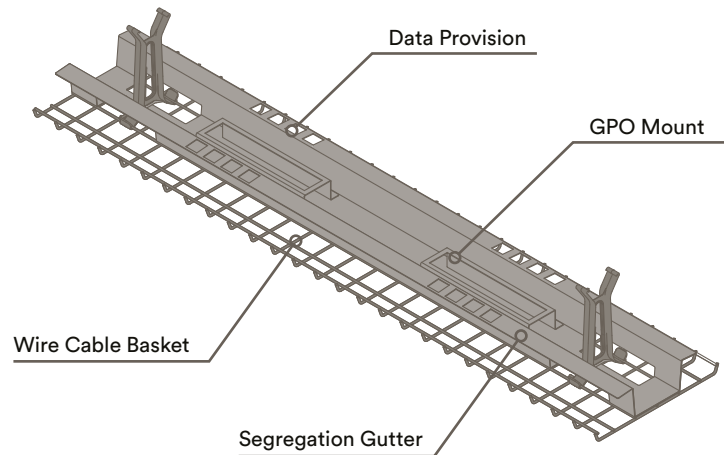


Extrusion-mount Hook

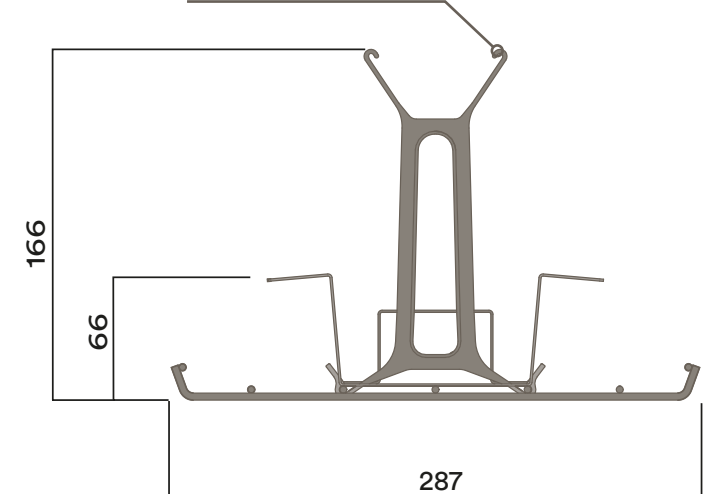


WSA-2100 Series

Double Sided Cable Basket



Extrusion-mount Hook



Workstation Accessories

Materials Information

Tall / Short Screen

Upholstered Screen Panel

- a. Customer Supplied Fabric

Acoustic Screen

PET Screen Panel

- a. Light Grey
- b. Dark Grey

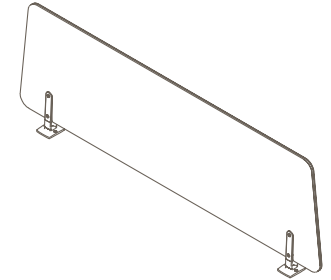
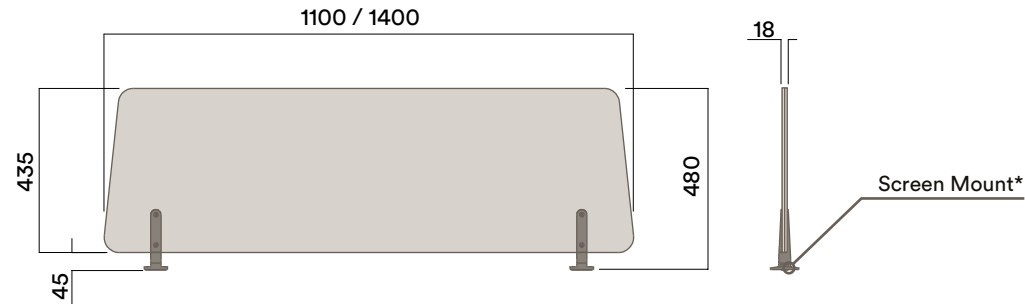
Screen Mounts

Powdercoat Aluminium Screen Mounts

- a. To Match Frame
- b. Other Colour

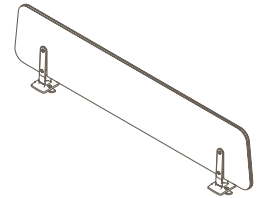
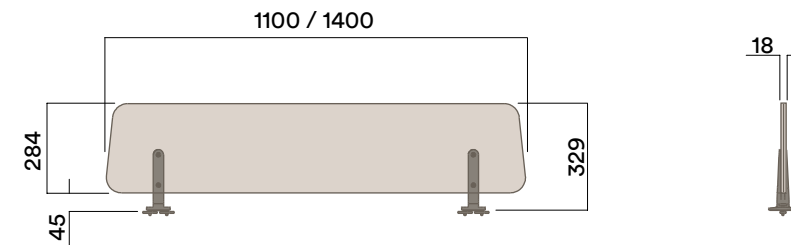
Tall Screen

Upholstered



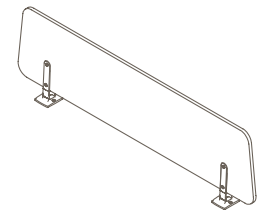
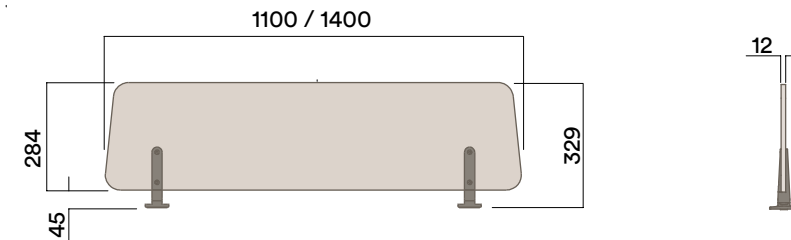
Short Screen

Upholstered



Acoustic Screen

PET Panel



Workstation Accessories

Materials Information

Acoustic Screen

PET Screen Panel

- a. Light Grey
- b. Dark Grey

Screen Mounts

Powdercoat Aluminium Screen Mounts

- a. To Match Frame
- b. Other Colour

Above Desk Accessories

Powdercoat Sheet Metal Accessories

- a. To Match Frame
- b. Other Colour

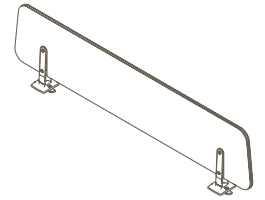
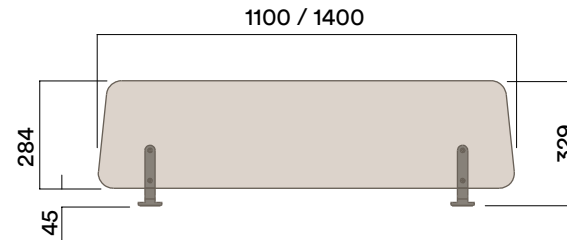
Accessory Mounts

Powdercoat Aluminium Screen Mounts

- a. To Match Frame
- b. Other Colour

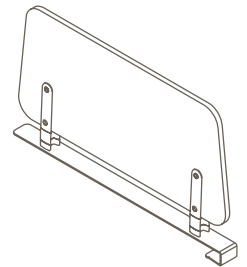
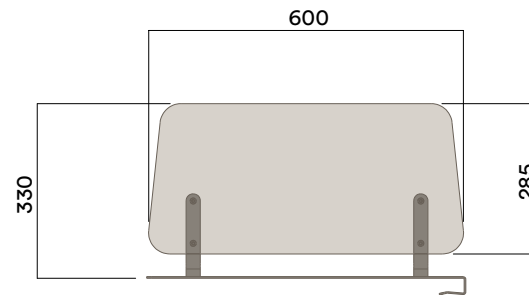
Short Screen

Acrylic



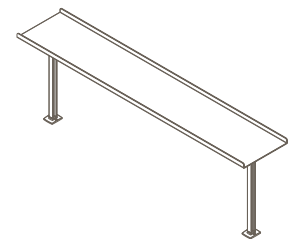
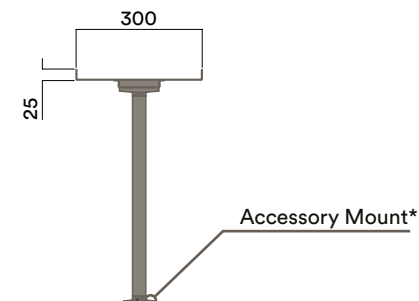
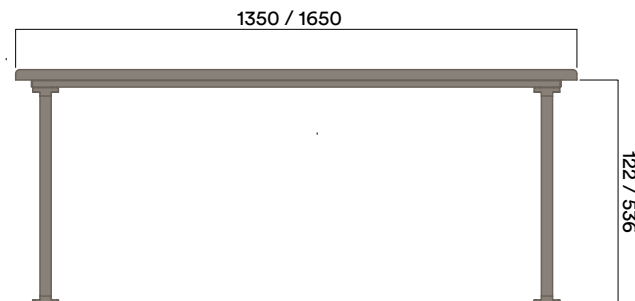
Interpersonal Screen

Acoustic Panel



Above Desk

Low / High Shelf



Workstation Accessories

Materials Information

Above Desk Accessories

Powdercoat Sheet Metal Accessories

- a. To Match Frame
- b. Other Colour

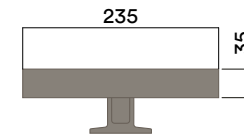
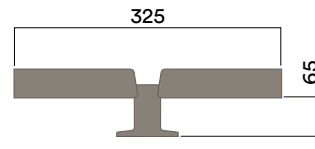
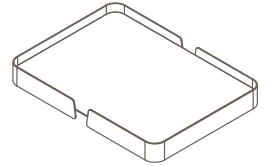
Accessory Mounts

Powdercoat Aluminium Screen Mounts

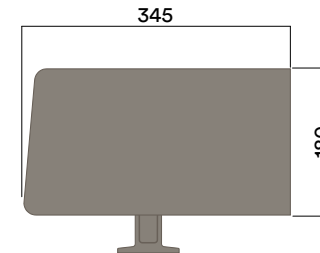
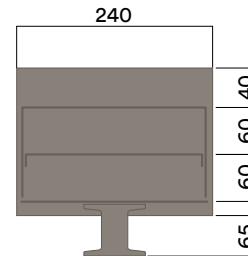
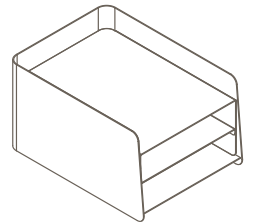
- a. To Match Frame
- b. Other Colour

Above Desk

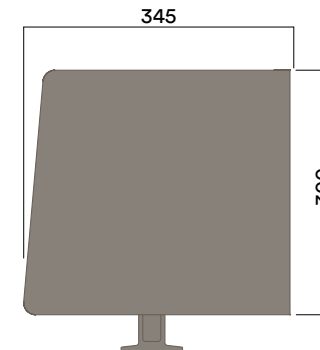
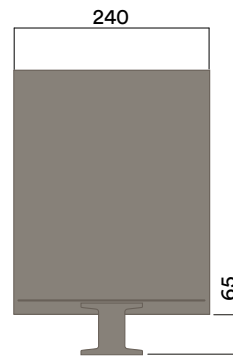
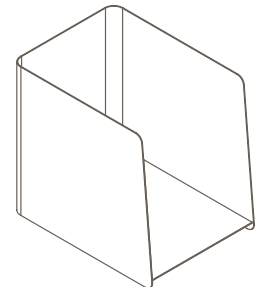
Personal Tray



Document Pod & Paper Tray



Binder Pod



Workstation Accessories

Materials Information

Cable Basket

Wire Cable Basket

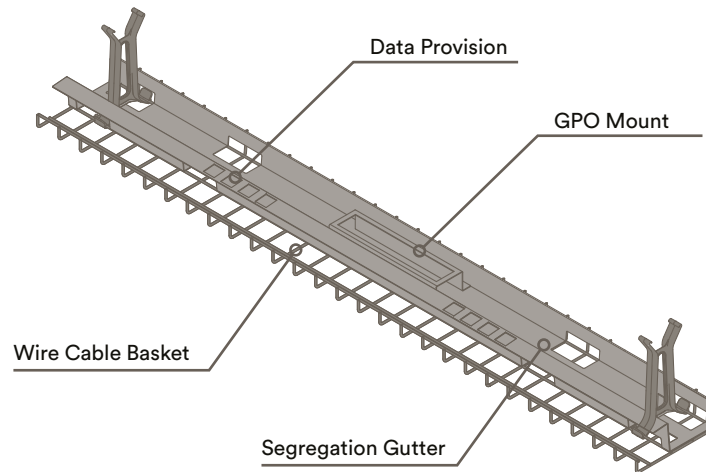
a. Black Powdercoat

Steel Segregation Gutter/
Worktop Brackets

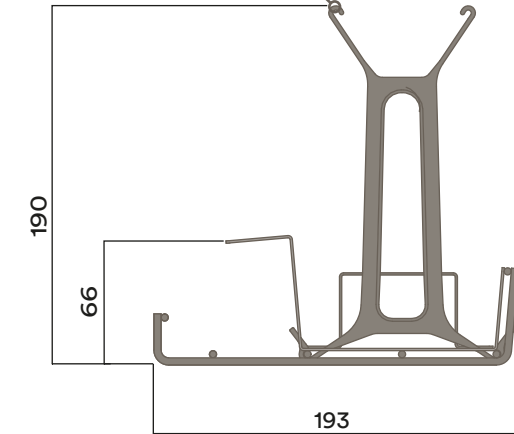
a. Black Powdercoat

FL-3300

Touch Down Kit

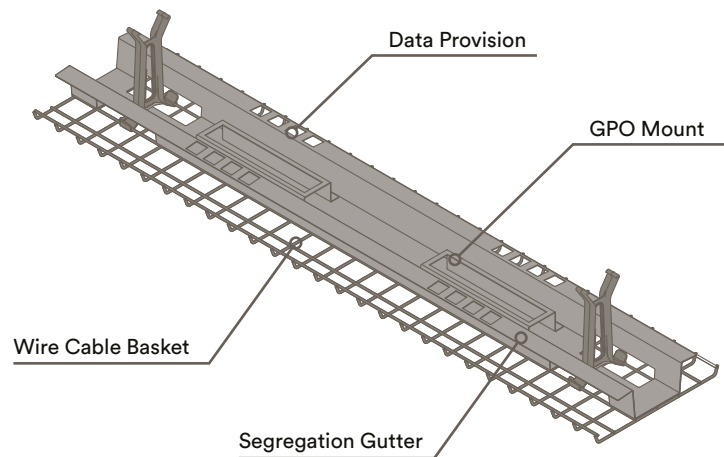


Extrusion-mount Hook

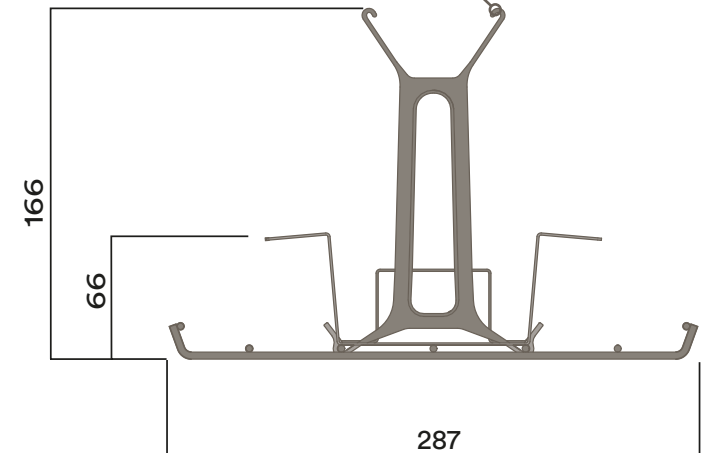


FL-3300

Touch Down Kit



Extrusion-mount Hook





Specification

If you would like a sample set of any of our finishes, please call us on 61 (0)2 9726 7177 or e-mail at sales@thinkingw.com.

Due to our policy of continuous product development, specifications and finishes may change without prior notice.

Sustainability Policy

We realise the importance of responsible business practices and have in place numerous product and company sustainability certifications. We would encourage you to download our annual Sustainability Report from the Thinking Works website to get a full overview of our sustainability program.

Thinking Works
© Copyright 2018
All right reserved

Thinking Works
25 Helles Avenue
Moorebank
New South Wales 2170

www.thinkingw.com
61 (0)2 9726 7177
sales@thinkingw.com